

Genie V-4M Parts Reference Guide



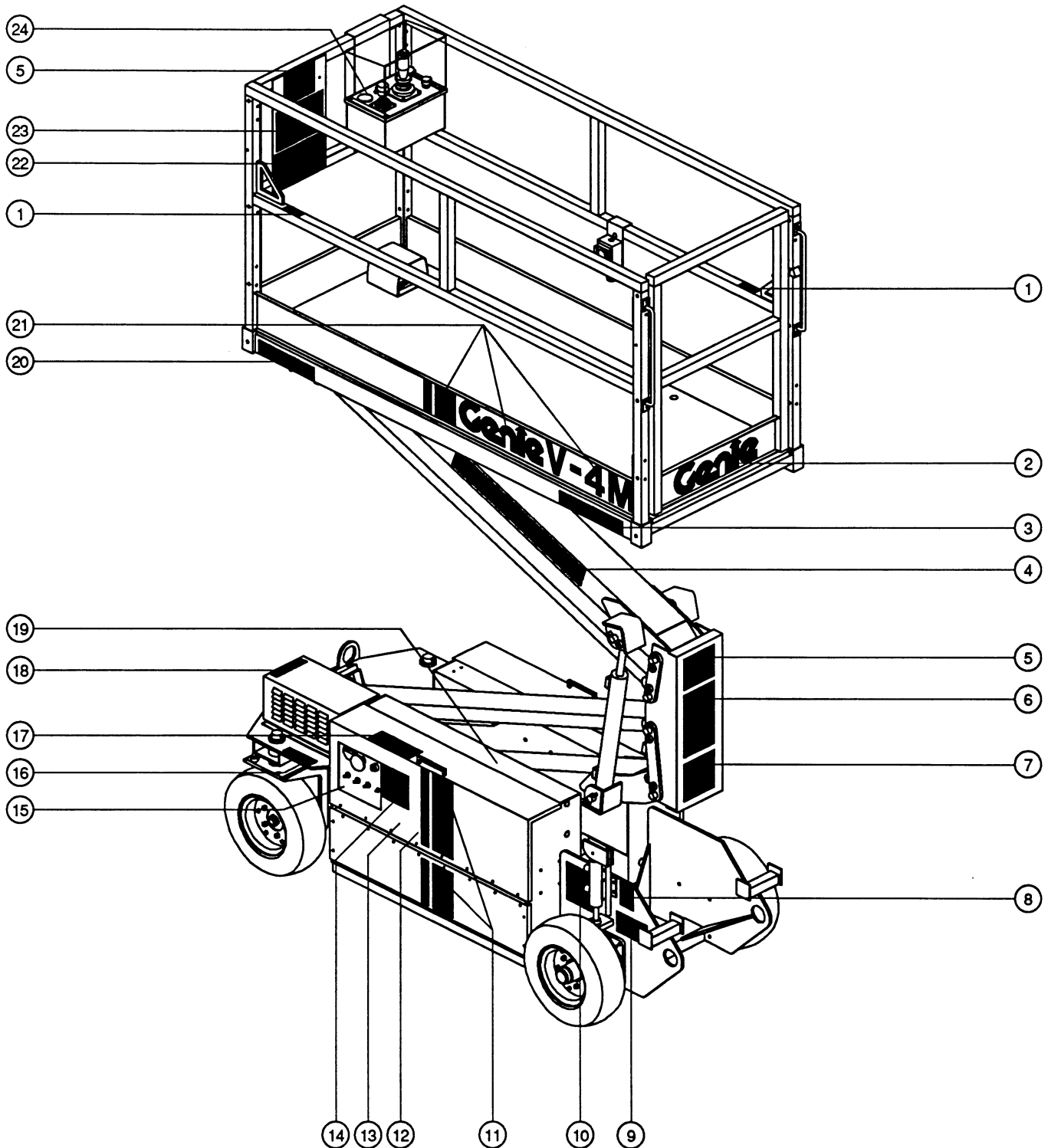
Contents	Page
1. Decals and Paint, Left Side View	2
2. Decals and Paint, Right Side View	4
3. Steering Linkage Assembly	6
4. Battery Charger	8
5. Left Side Chassis Component Installation	10
6. Ground Controls	12
7. Hydraulic Manifold	14
8. Right Side Chassis Component Installation	16
9. Hydraulic Reservoir Assembly	18
10. Rear Axle Assembly	20
11. Hydraulic Hoses and Fittings	22
12. Lower Elevate Assembly	24
13. Upper Elevate Assembly	26
14. Platform Assembly	28
15. Platform Controls	30
16. Elevate Controller	32
17. Drive Controller	34
18. AC Power Outlet Assembly	36
Numeric Index	38
Service Parts Order Form	41
How To Order Genie Parts	42

Genie Industries

Part No. 27170

1. Decals and Paint

Left Side View



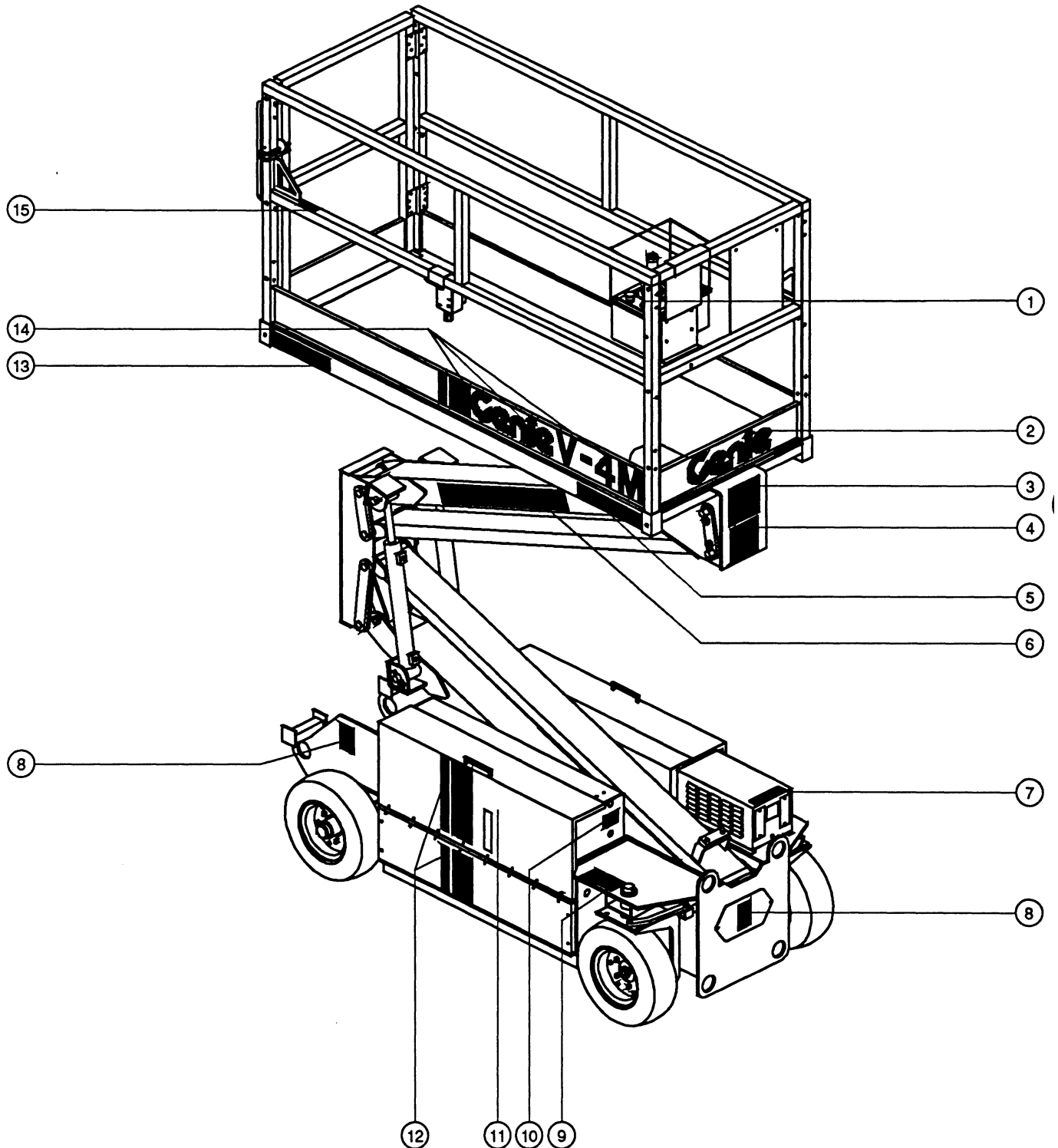
1. Decals and Paint

Left Side View

Index No.	Part No.	Description	Quantity Per Illustration	Index No.	Part No.	Description	Quantity Per Illustration
--	27053	Decal Kit - Safety/Instructional (includes all <u>except</u> index No's. 2, 4, 11 & 21)		10	24917J	Decal - "Brake Release Instructions"	1
--	25136	Decal Kit - Cosmetic (includes Index No's. 2, 4, 11 & 21)		11	24949	Decal - Stripes	1
--	1483	Paint - Genie Blue, 3.78 Liter (1 Gallon)		12	25918J	Decal - Hydraulic Schematic (inside cover)	1
--	1484	Paint - Genie Blue, 340.5 Gram (12 Ounce) Aerosol		13	25917J	Decal - Electrical Diagram (inside cover)	1
--	1266	Paint - Genie Grey, 3.78 Liter (1 Gallon)		14	18684J	Decal - "Ground Control Pre-Start"	1
--	1268	Paint - Genie Grey, 340.5 Gram (12 Ounce) Aerosol		15	24916J	Decal - Ground Control Panel	1
1	916260	Decal - Safety Belt Anchor	2	16	24973J	Decal - "Machine Will Not Operate"	1
2	18612	Decal - "Genie"	1	17	25913J	Decal - "Manual Lowering Valve Location"	1
3	24939J	Decal - "Maximum Height"	1	18	25919J	Decal - "Charge After Shift"	1
4	24951J	Decal - "Tomei"	1	19	916251J	Decal - "Manual Lower Valve Instructions" (inside cover)	1
5	25920J	Decal - "Load Capacity and Distribution"	2	20	24935J	Decal - "Maximum Capacity"	1
6	25914J	Decal - "Maintenance Instructions" .	1	21	24980	Decal - "Genie V-4M" with stripe	1
7	25921J	Decal - "Secure As Shown For Transport"	1	22	916300J	Decal - "Warning Before Operating"	1
8	25922J	Decal - Pinch Point	1	23	25915J	Decal - "Operating Instructions"	1
9	916245J	Decal - "Proper Tire Usage Warning"	1	24	24974J	Decal - Platform Control Panel	1

2. Decals and Paint

Right Side View

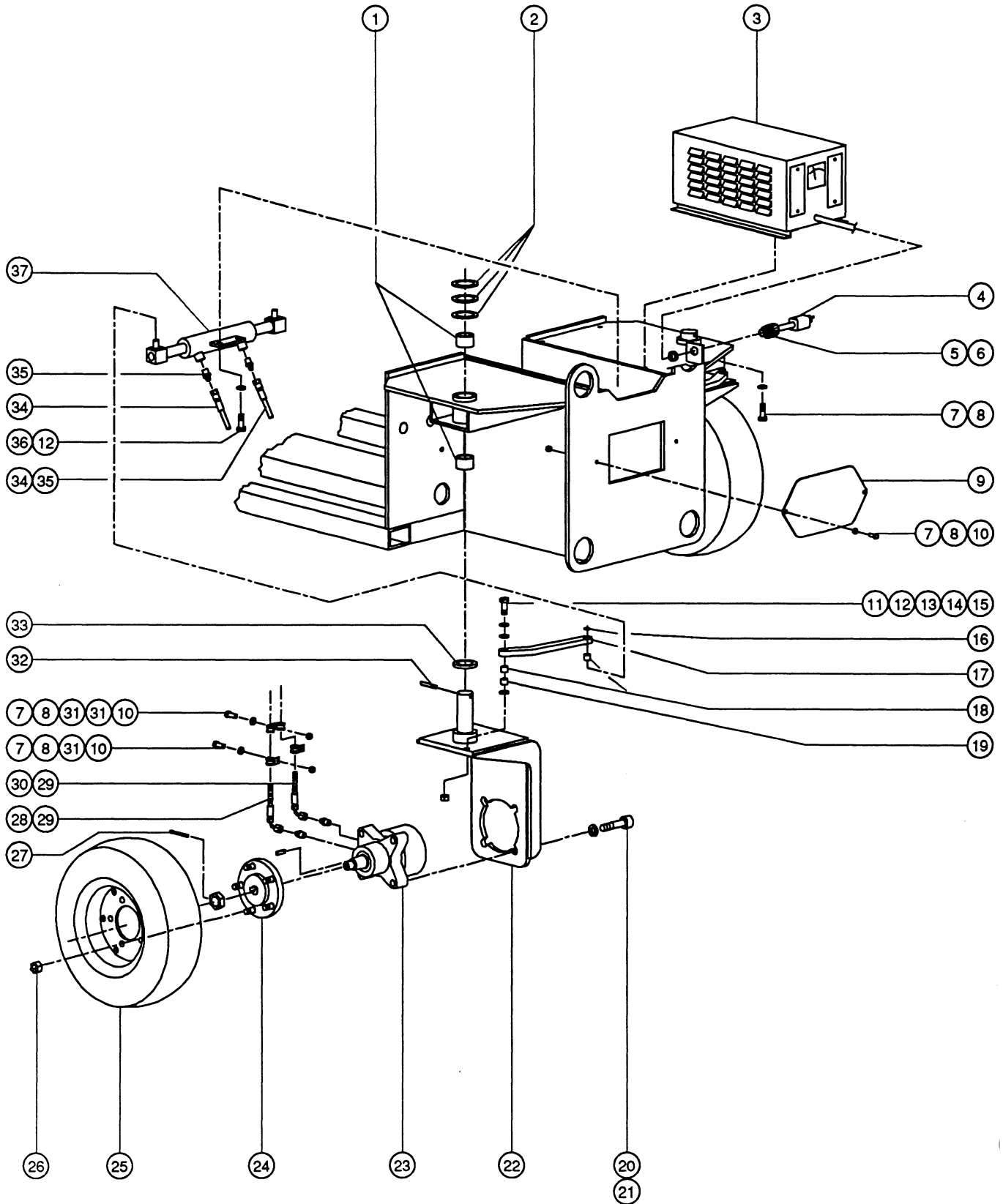


2. Decals and Paint

Right Side View

Index No.	Part No.	Description	Quantity Per Illustration
--	27053	Decal Kit - Safety/Instructional (includes all <u>except</u> Index No's. 2, 3, 6 & 12)	
--	25136	Decal Kit - Cosmetic (includes index No's 2, 3, 6 & 12)	
--	1483	Paint - Genie Blue, 3.78 Liter (1 Gallon)	
--	1484	Paint - Genie Blue, 340.5 Gram (12 Ounce) Aerosol	
--	1266	Paint - Genie Grey, 3.78 Liter (1 Gallon)	
--	1268	Paint - Genie Grey, 340.5 Gram (12 Ounce) Aerosol	
1	24974J	Decal - Platform Control Panel	1
2	18612	Decal - "Genie"	1
3	—	Serial Number Plate (consult factory for ordering information)	1
4	24971J	Decal - "Range Of Motion"	1
5	24939J	Decal - "Maximum Height"	1
6	24951J	Decal - "Tomei"	1
7	25919J	Decal - "Charge After Shift"	1
8	25922J	Decal - Pinch Point	2
9	916245J	Decal - "Warning For Tires"	1
10	12515J	Decal - "120V AC 15A"	1
11	916237J	Decal - "Hydraulic Oil Only" (inside cover)	1
12	24949	Decal - Stripes	1
13	24935J	Decal - "Maximum Capacity"	1
14	24980	Decal - "Genie V-4M" with stripe	1
15	916260	Decal - Safety Belt Anchor	1

3. Steering Linkage Assembly



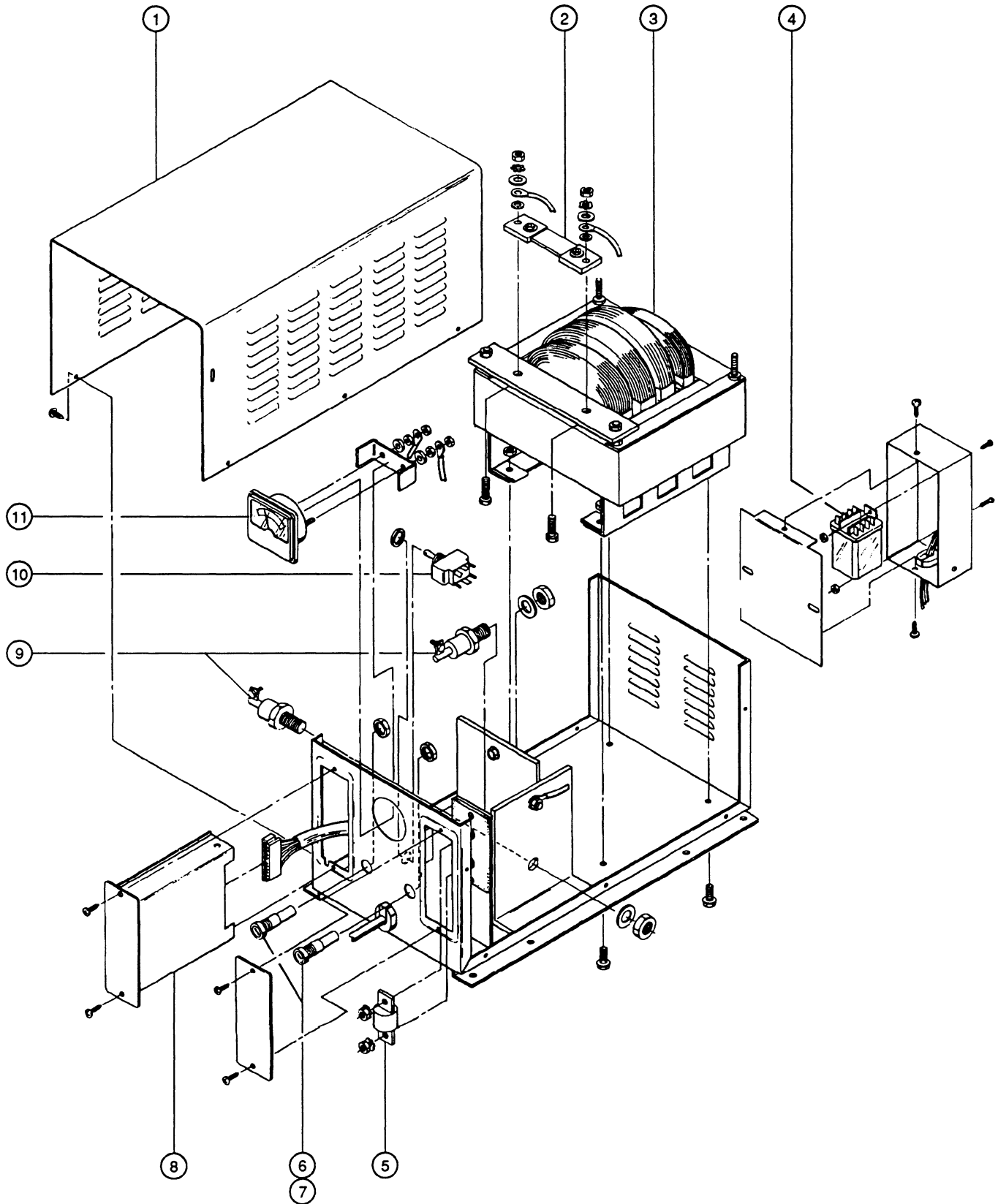
3. Steering Linkage Assembly

Index No.	Part No.	Description	Quantity Per Illustration	Index No.	Part No.	Description	Quantity Per Illustration
1	25682	Bearing - Garlock, 24DU16	2	23	25153P	Wheel Motor (includes Slotted Nut) 2	2
2	18596	Washer - Flat, 1.56 x 2.5 x 0.061 inch	3	--	19453	Seal Kit - Wheel Motor	
3	25632	Charger - 100/220V AC, 50/60 Hz with Relay	1	24	18365P	Hub - Wheel Motor Adaptor	2
		(See <i>Figure 4</i> , page 8)		--	18526	Stud - Wheel Lug	10
4	6595	Electrical Plug	1	25	20065	Tire and Wheel Assembly	2
5	7056	Cable Squeeze Connector	1	26	13047	Nut - Wheel Lug	10
6	6935	Locknut - Electric, 0.5 inch	1	27	5361	Pin - Cotter, 0.125 x 1.5 inch	2
7	22578	Screw - HHC, M6 x 20mm, GR 8.8	8	28	25901*	Hose Assembly - Right Side Wheel Motor, Bottom Port to Manifold (shown)	1
8	25926	Washer - Flat, M6	10	—	25900*	Hose Assembly - Left Side Wheel Motor, Bottom Port to Manifold	1
9	25659P	Cover - Front Chassis Plate	1	29	25877*	Fitting - Connector, 6 JIC x 10 SAE (SAE 070120)	4
10	14163	Nut - Nylock, M6	6	30	25902*	Hose Assembly - Right Side Wheel Motor, Top Port to Manifold (shown)	1
11	13918	Screw - HHC, 3/8 - 16 x 1.75 inch, GR 8	2	—	25899*	Hose Assembly - Left Side Wheel Motor, Top Port to Manifold	1
12	22699	Washer - Flat, M10	4	31	13268	Hose Clamp - Rubber Cushioned, 0.75 inch	4
13	13066	Washer - Flat Hardened, 0.5 inch	2	32	8112	Roll Pin, 0.25 x 2.0 inch	2
14	7268	Washer - Shim, 0.375 x 0.625 x 0.033 inch	4	33	18382	Bearing - Thrust, 1.5 x 2 x 0.125 inch	2
15	7713	Nut - LP Nylock, 3/8 - 16	2	34	25903*	Hose Assembly - Steering Cylinder to Function Manifold	2
16	11339	Ring - Retainer, External 0.5 inch ...	2	35	13755*	Fitting - Connector, 4 JIC x 4 SAE (SAE 070120)	2
17	25138P	Tie Rod	2	36	22677	Screw - HHC, M10 x 25mm, GR 8.8	2
18	25686	Bearing - Garlock, 08DU08	4	37	25144	Cylinder - Steering	1
19	25923	Spacer - Steering Linkage	2	--	25870	Seal Kit - Steering Cylinder	
20	45066	Screw - SHC, 5/8 - 11 x 2.25 inch	8				
21	13064	Washer - Flat Hardened, 0.625 inch	8				
22	25121	Weldment - Steering King Pin	2				

* All Hydraulic Hoses and Fittings are detailed in *Figure 11*, page 22.

4. Battery Charger

100/200V AC, 50/60 Hz with Relay, Part No. 25632



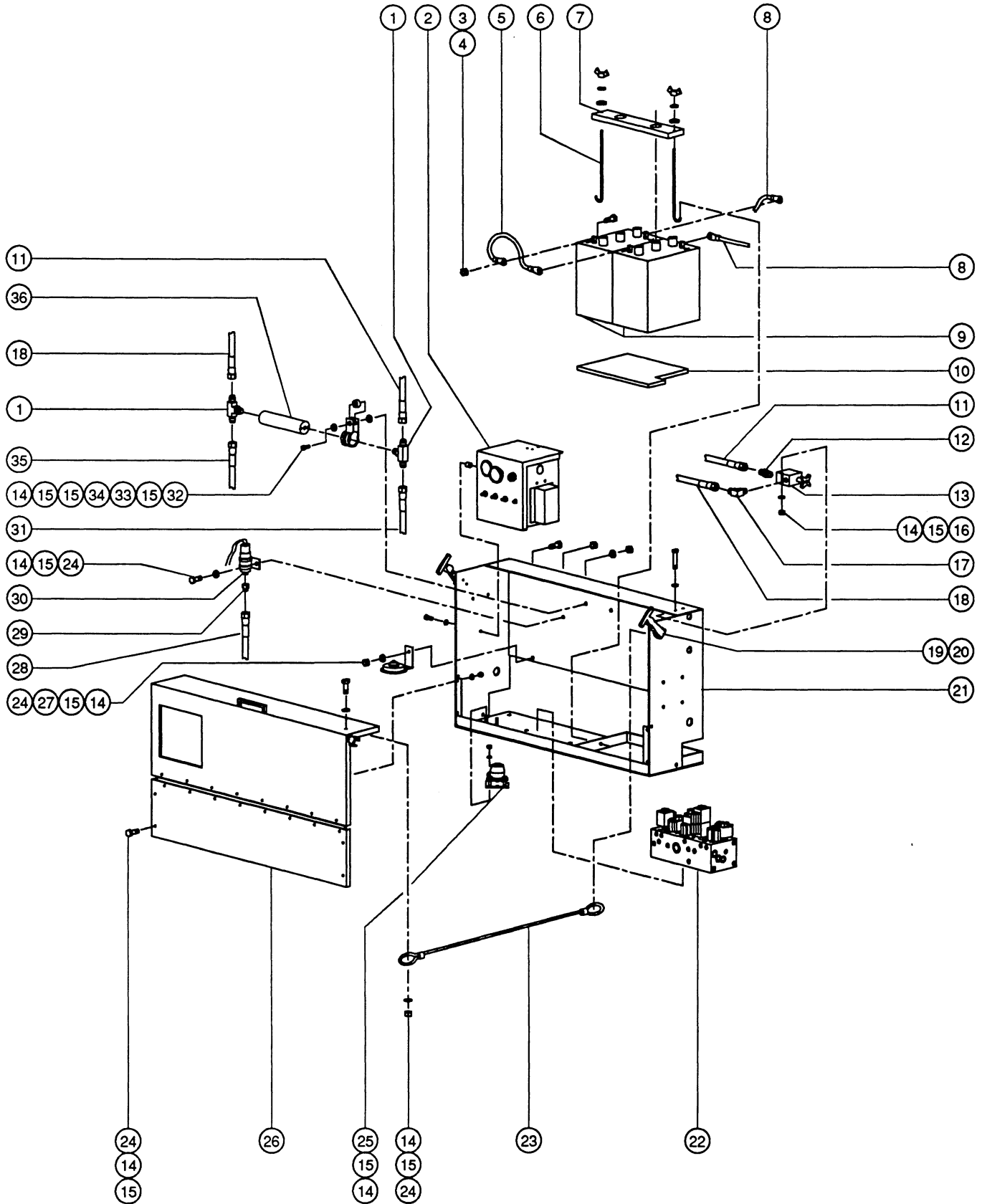
4. Battery Charger

100/200V AC, 50/60 Hz with Relay, Part No. 25632

Index No.	Part No.	Description	Quantity Per Illustration
1	27110	Cover	1
2	25845	Shunt	1
3	24034	Transformer Assembly	1
4	27111	Relay - AC, 110V	1
5	24523	Fuse - DC, JJN, 80A	1
6	24036	Fuse Holder	2
7	24031	Fuse - AC, MDA, 15A	2
8	24186	Electronic Timer Assembly	1
9	24156	SCR, 55A	2
10	25846	Toggle Switch - DPDT	1
11	19530	Ammeter	1

5. Left Side Chassis

Component Installation



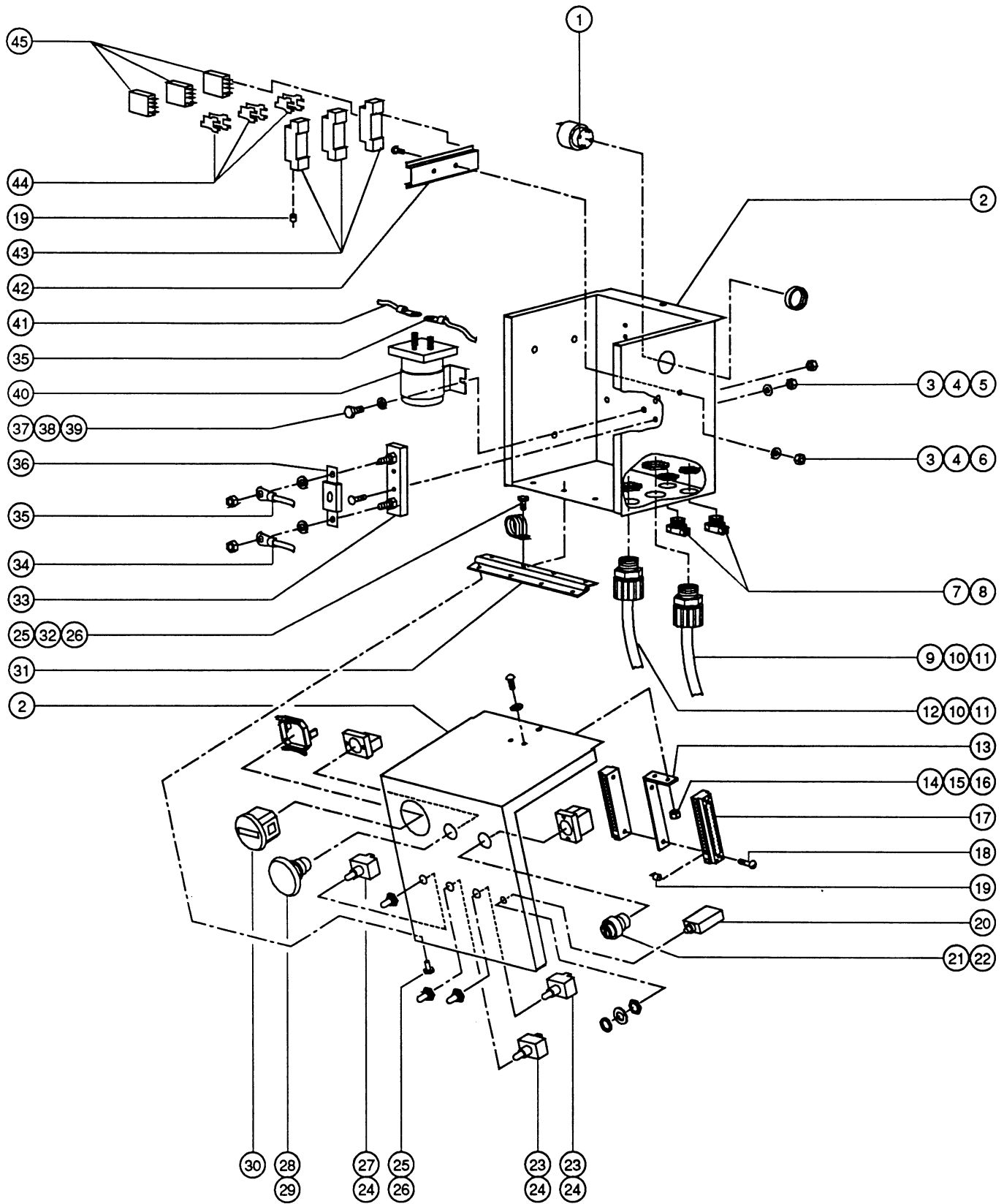
5. Left Side Chassis

Component Installation

Index No.	Part No.	Description	Quantity Per Illustration	Index No.	Part No.	Description	Quantity Per Illustration
1	25876*	Fitting - Branch Tee, 4 SAE x 4 JIC (SAE 070429)	2	19	13579	Flexible Draw Latch	2
2	- - - -	Ground Controls (See <i>Figure 6</i> , page 12)		20	6272	Rivet, 0.125 x 0.25 inch	8
3	6022	Nut - Hex, 3/8 - 16	4	21	25134	Weldment - Left Side Battery Tray	1
4	6175	Screw - HHC, 3/8 - 16 x 1 inch, GR 5	4	—	27258	Edge Guard	97cm
5	19229	Battery Cable, 30cm (11.5 inch)	1	22	25152	Hydraulic Manifold (See <i>Figure 7</i> , page 14)	1
6	45708	Hook - Battery Hold Down, 1 pair (includes fasteners)	1	23	27159	Lanyard - Side Cover	1
7	25299	Bracket - Battery Hold Down	1	24	22578	Screw - HHC, M6 x 20mm	8
8	18627	Battery Cable, 107cm (42 inch)	2	25	21045	Level Sensor - 3 Degree, 1 Second Delay	1
9	13006	Battery, 220AH	2	26	27156	Cover Assembly with Decals - Left Side (includes Index No. 23) ...	1
10	25646	Plywood - Battery Tray	1	—	25866	Handle (includes Fasteners)	1
11	25907*	Hose Assembly - Shuttle Accumulator to Freewheel Manifold	1	27	45212	Horn Kit - 24V	1
12	13756*	Fitting - Connector, 6 SAE x 4 JIC (SAE 070120)	1	28	27186*	Hose Assembly - Load Limit Switch to Function Manifold	1
13	25282	Manifold - Freewheel	1	29	27166*	Fitting - Connector, 6 FPT x 6 JIC (SAE 070103)	1
—	45651	Valve - Needle	1	30	25863	Switch - Pressure (Load Limit)	1
14	14163	Nut - Nylock, M6	14	31	27188*	Hose Assembly - Shuttle Accumulator to Function Manifold ..	1
15	25926	Washer - Flat, M6	21	32	25956	Screw - HHC, M6 x 30mm, GR 8.8	2
16	25930	Screw - HHC, M6 x 55mm, GR 8.8	2	33	6653	Clamp - Rubber Cushioned	2
17	12340*	Fitting - 90 Degree Elbow, 6 SAE x 4 JIC (SAE 070220)	1	34	25923	Spacer	6
18	25908*	Hose Assembly - Shuttle Accumulator to Freewheel Manifold	1	35	27187*	Hose Assembly - Shuttle Accumulator to Function Manifold ..	1
				36	25154	Shuttle Accumulator	1

*All Hydraulic Hoses and Fittings are detailed in *Figure 11*, page 22.

6. Ground Controls

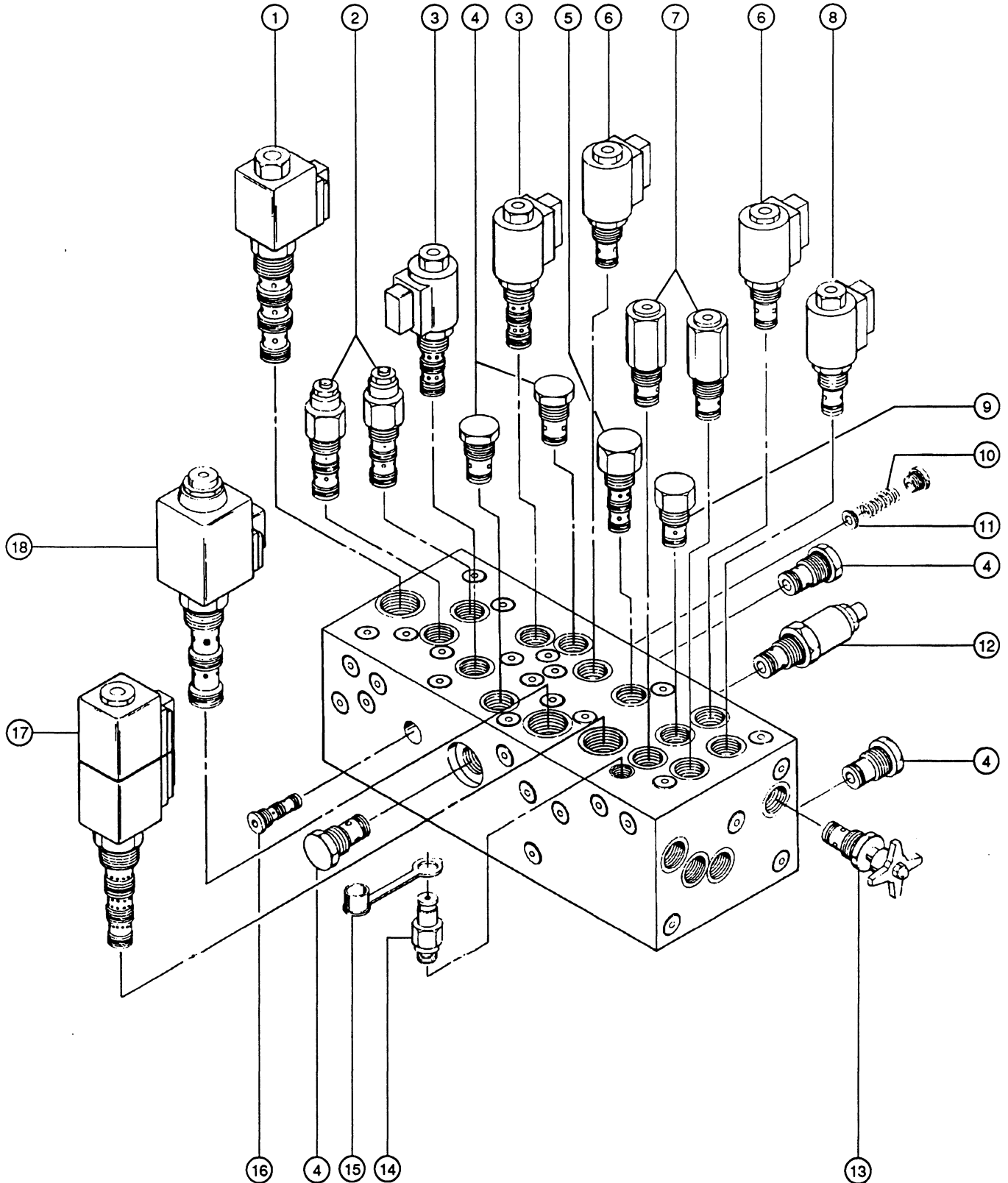


6. Ground Controls

Index No.	Part No.	Description	Quantity Per Illustration	Index No.	Part No.	Description	Quantity Per Illustration
1	18963	Alarm - 24V, Intermittent Tone	1	24	25553	Boot - Toggle Switch	3
2	25132P	Weldment - Ground Control Box	1	25	19871	Screw - HHC, M5 x 6mm, GR 8.8	8
3	6178	Nut - Nylock, 10 - 32	2	26	27082	Nut - Nylock, M5	8
4	6146	Washer - Flat, No. 10	4	27	13037	Toggle Switch - SPDT Momentary	1
5	6873	Screw - FHM, 10 - 32 x 1 inch	2	28	45078	Red Push Button Operator	1
6	5094	Screw - RHM, 10 - 32 x 0.5 inch	2	29	45083	Contact - N.C. with Base	1
7	6622	Ground Connector, 0.5 inch	2	30	19506	Hour Meter (includes mounting bracket)	1
8	6935	Nut - Electric Lock, 0.5 inch	2	31	25643	Hinge	1
9	1635	Wire Cable 0.821mm ² (18 Gauge), 19 Conductor	823cm	32	13268	Clamp - Rubber Cushioned, 0.75 inch	1
10	12960	Cable Squeeze Connector	2	33	13105	Fuse Holder (includes fasteners) ...	1
11	14041	Nut - Electric Lock, 0.75 inch	2	34	18627	Battery Cable, 107cm (42 inch)	1
12	1635	Wire Cable 0.821mm ² (18 Gauge), 19 Conductor	115cm	35	45501	Battery Cable, 13cm (5 inch)	1
13	25941P	Bracket - Terminal Strip Mount	1	36	18576	Fuse, 200A	1
14	25368	Nut - Nylock, M8	1	37	22578	Screw - HHC, M6 x 20mm, GR 8.8	2
15	6638	Washer - Flat, 0.25 x 0.75 x 0.062 inch	1	38	25926	Washer - Flat, M6	2
16	22586	Screw - HHC, M8 x 20mm	1	39	14163	Nut - Nylock, M6	2
17	20373	Terminal Strip - 16 Pole	2	40	24427	Contact - Motor Start, 200A	1
18	21192	Screw - RHM, 8 - 32 x 1.25 inch	2	41	27167	Battery Cable, 170cm (67 inch)	1
19	45782	Diode - 6A	11	42	27076	Carrier Rail, 12.7cm (5 inch)	1
20	375785	Circuit Breaker, 10A (includes fasteners)	1	43	20813	Socket - Relay	3
21	45079	Keyswitch	1	44	24343	Relay Hold Down	6
--	21982	Key - Keyswitch		45	20812	Relay - SPDT, 24V	3
22	45084	Contact - N.O. with Base	1				
--	45081	Contact - N.O., ZB2-BE01					
23	16397	Toggle Switch - 3 Position, DPDT Momentary	2				

7. Hydraulic Manifold

Part No. 25152



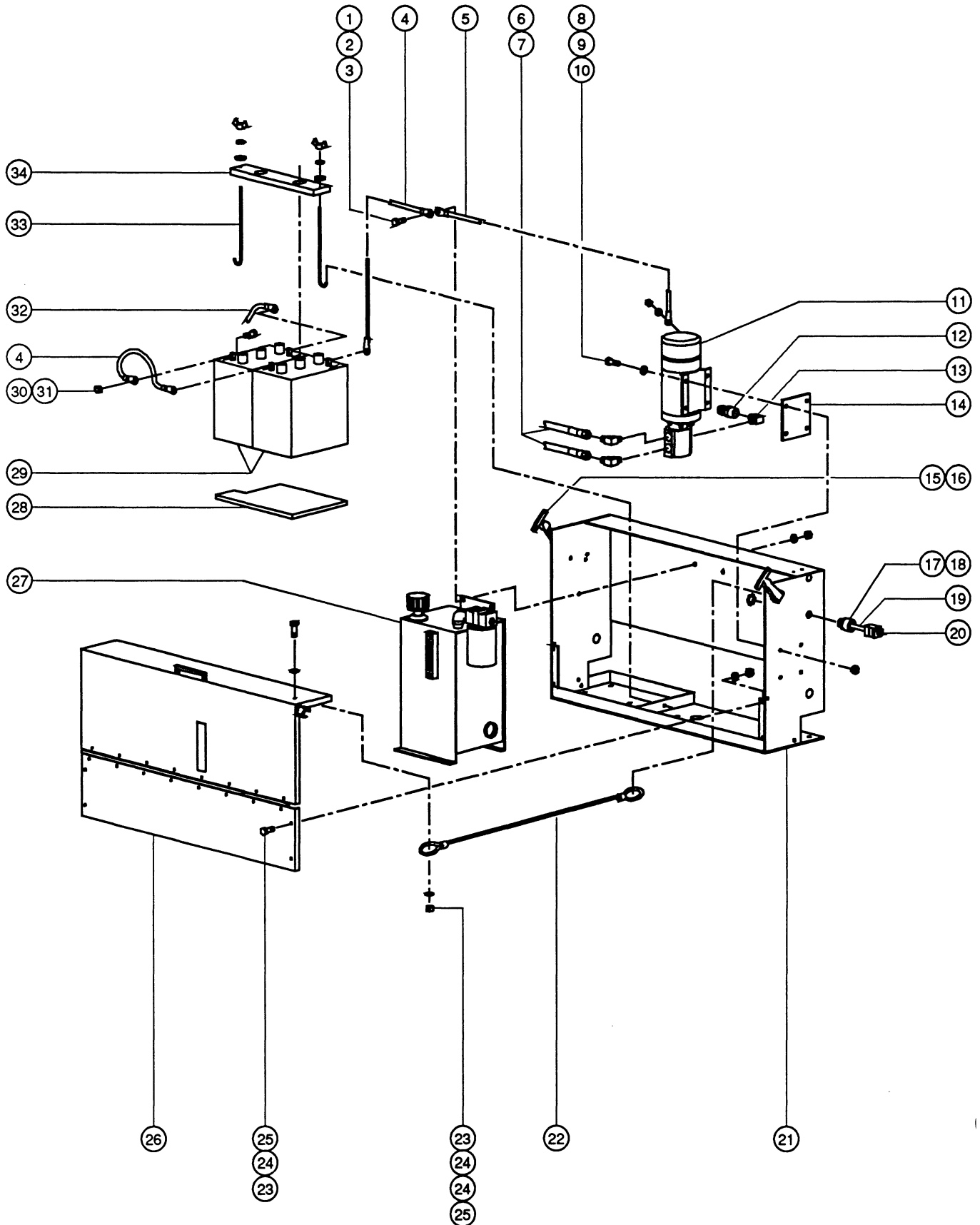
7. Hydraulic Manifold

Part No. 25152

Index No.	Part No.	Description	Quantity Per Illustration	Index No.	Part No.	Description	Quantity Per Illustration
--	25375	O-Ring Kit (Services all Compact Controls Manifolds)		9	27051	Valve - Flow Regulator	1
1	27046	Valve - 2 Position, 4 Way Solenoid	1	10	18920	Spring	1
--	45911	Coil - 20V DC		11	18921	Orifice	1
--	19792	Nut		12	27168	Valve - Relief	1
2	27047	Valve - Overcenter	2	13	18919	Valve - Needle	1
3	27048	Valve - 2 Position, 3 Way Solenoid	2	14	45642	Diagnostic Nipple	1
--	19253	Coil - 20V DC		--	20224	Coupler - Female Quick Disconnect (not shown)	
--	45912	Nut		15	45643	Dust Cap	1
4	45543	Valve - Check	5	16	45483	Valve - Mini Shuttle	1
5	27050	Valve - Differential Sensing	1	17	18914	Valve - 3 Position, 4 Way Solenoid	1
6	45544	Valve - N.C. Solenoid	2	--	45911	Coil - 20V DC (2 each Required)	
--	19253	Coil - 20V DC		--	19792	Nut	
--	19792	Nut		18	27049	Valve - Proportional	1
7	27052	Valve - Relief 138 BAR (2000 psi) ..	2	--	45919	Coil - 24V DC	
8	25036	Valve - N.O. Solenoid	1	--	45920	O-Ring	
--	19253	Coil - 20V DC		--	45921	Spacer	
--	45912	Nut		--	45922	Nut	

8. Right Side Chassis

Component Installation



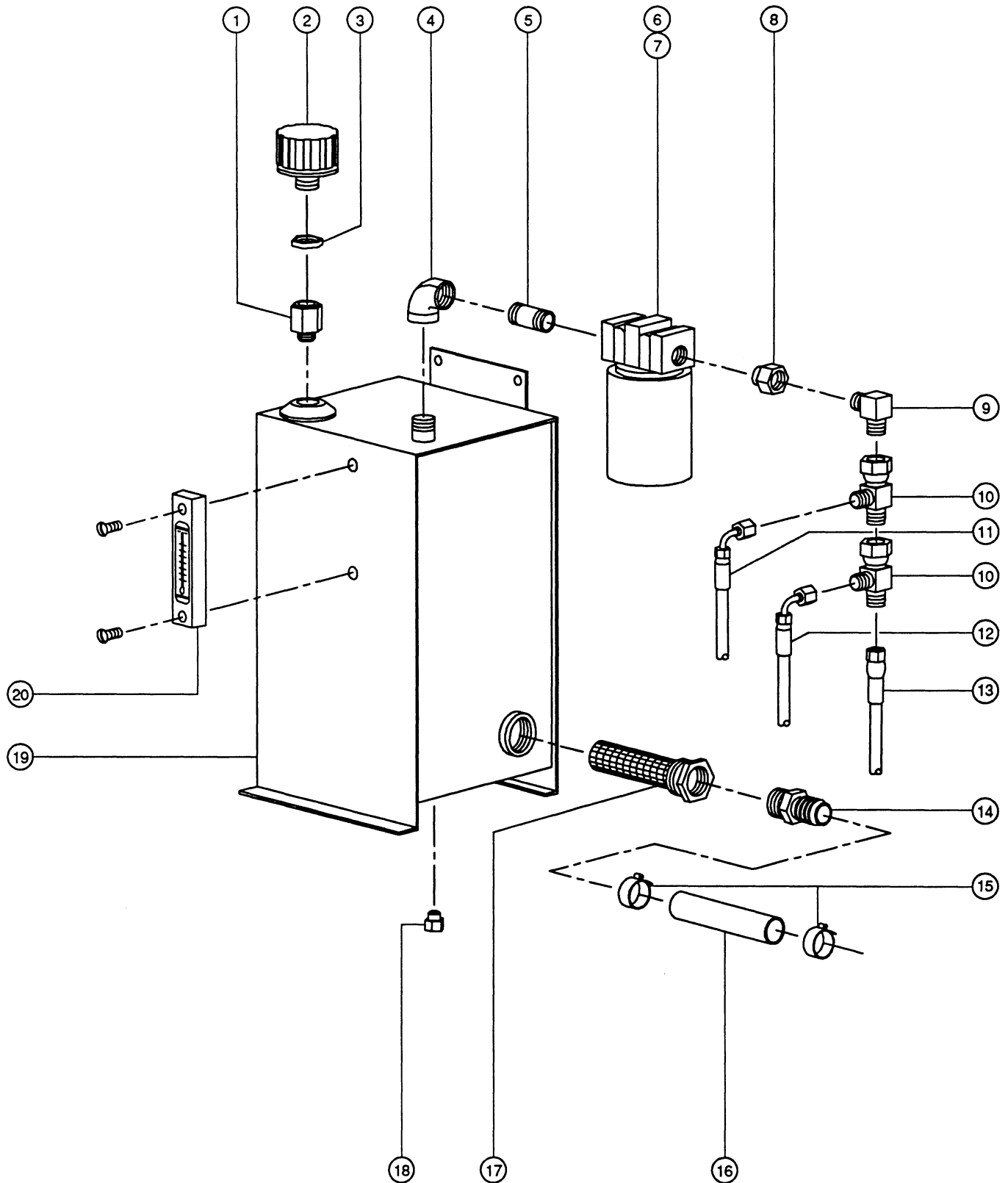
8. Right Side Chassis

Component Installation

Index No.	Part No.	Description	Quantity Per Illustration	Index No.	Part No.	Description	Quantity Per Illustration
1	22677	Screw - HHC, M10 x 25mm, GR 8.8	2	19	6993	Wire - 14-3 SJ0	762cm
2	22699	Washer - Flat, M10	2	20	25631	Plug	1
3	22736	Nut - Nylock, M10	2	21	25131	Weldment - Right Side Battery Tray	1
4	19229	Battery Cable, 30cm (11.5 inch)	2	—	27258	Edge Guard	97cm
5	19233	Battery Cable, 48cm (19 inch)	1	22	27159	Lanyard - Side Cover	1
6	25898*	Hose Assembly - Power Unit to Function Manifold	2	23	14163	Nut - Nylock, M6	6
7	13120*	Fitting - 90 Degree Elbow, 6 SAE x 6 JIC (SAE 070220)	2	24	25926	Washer - Flat, M6	8
8	25929	Screw - HHC, M8 x 30mm, GR 8.8	4	25	22578	Screw - HHC, M6 x 20mm, GR 8.8	6
9	6638	Washer - Flat, 0.25 x 0.75 x 0.062 inch	4	26	27157	Cover Assembly with Decals, Right Side (includes Index No. 22)	1
10	25368	Nut - Nylock, M8	4	—	25866	Handle (includes Fasteners)	1
11	25140	Hydraulic Power Unit	1	27	—	Hydraulic Reservoir Assembly (See <i>Figure 9</i> , page 18)	
--	18814	Motor - 24V DC		28	25646	Plywood - Battery Tray	1
--	19454	Brush Set (8 pieces)		29	13006	Battery, 220AH	2
--	19455	Spring Set (8 pieces)		30	6022	Nut - Hex, 3/8 - 16	4
--	25957	Pump		31	6175	Screw - HHC, 3/8 - 16 x 1 inch, GR 5	4
--	19151	Shaft Seal - Pump		32	18627	Battery Cable, 107cm (42 inch)	1
12	45167*	Fitting - Straight Connector, Barb ...	1	33	45708	Hook - Battery Hold Down, 1 pair (includes fasteners)	1
13	25878*	Fitting - 90 Degree Elbow, 12 SAE x 8 JIC (SAE 070220)	1	34	25299	Bracket - Battery Hold Down	1
14	19265	Pad - Rubber	1				
15	13579	Flexible Draw Latch	2				
16	6272	Rivet - Steel, 0.125 x 0.25 inch	8				
17	7056	Cable Squeeze Connector	1				
18	6935	Locknut - Electric, 0.5 inch	1				

*All Hydraulic Hoses and Fittings are detailed in *Figure 11*, page 22.

9. Hydraulic Reservoir Assembly

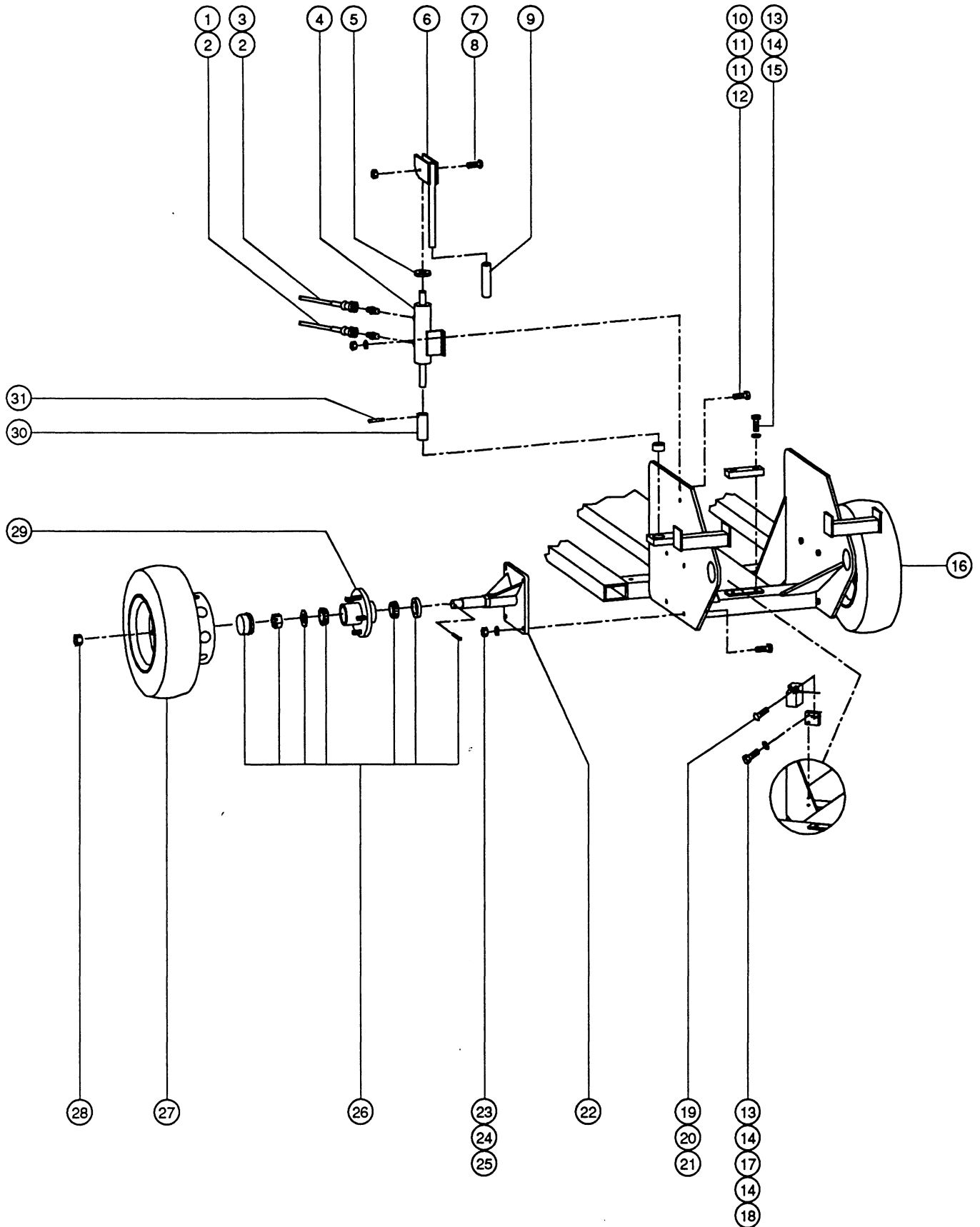


9. Hydraulic Reservoir Assembly

Index No.	Part No.	Description	Quantity Per Illustration
1	27028*	Fitting - Adaptor, 12 MPT x 12 FPT (SAE 140139)	1
2	21815	Breather Cap	1
3	27132	Nut - Brass With Seal	1
4	25889*	Fitting - 90 Degree Elbow, 0.75 inch FPT	1
5	25887*	Fitting - Nipple, 0.75 NPT x 2.0 inch	1
6	19539	Manifold - Filter	1
7	45087	Filter - Return, 10 Micron	1
8	45869*	Fitting - Bushing, 12 MPT x 8 FPT (SAE 140140)	1
9	25880*	Fitting - 90 Degree Elbow, 6 JIC x 8 MPT (SAE 070202)	1
10	45366*	Fitting - Swivel Run Tee, 6 JIC x 8 JIC (SAE 070432)	2
11	25911*	Hose Assembly - Brake Cylinder to Hydraulic Reservoir	1
12	25897*	Hose Assembly - Hydraulic Manifold to Hydraulic Reservoir	1
13	25905*	Hose Assembly - Elevate Cylinder Tee to Hydraulic Reservoir	1
14	45167*	Fitting - Coupler, Barb	1
15	19273	Hose Clamp	2
16	25895*	Hose - Hydraulic Reservoir to Hydraulic Pump	1
17	45162	Strainer Assembly	1
18	25879	Hex Head Plug, 0.375 inch NPT	1
19	25141	Weldment - Hydraulic Reservoir	1
20	21141	Sight Gauge with Thermometer (includes Fasteners)	1

* All Hydraulic hoses and Fittings are detailed in *Figure 11*, page 22.

10. Rear Axle Assembly

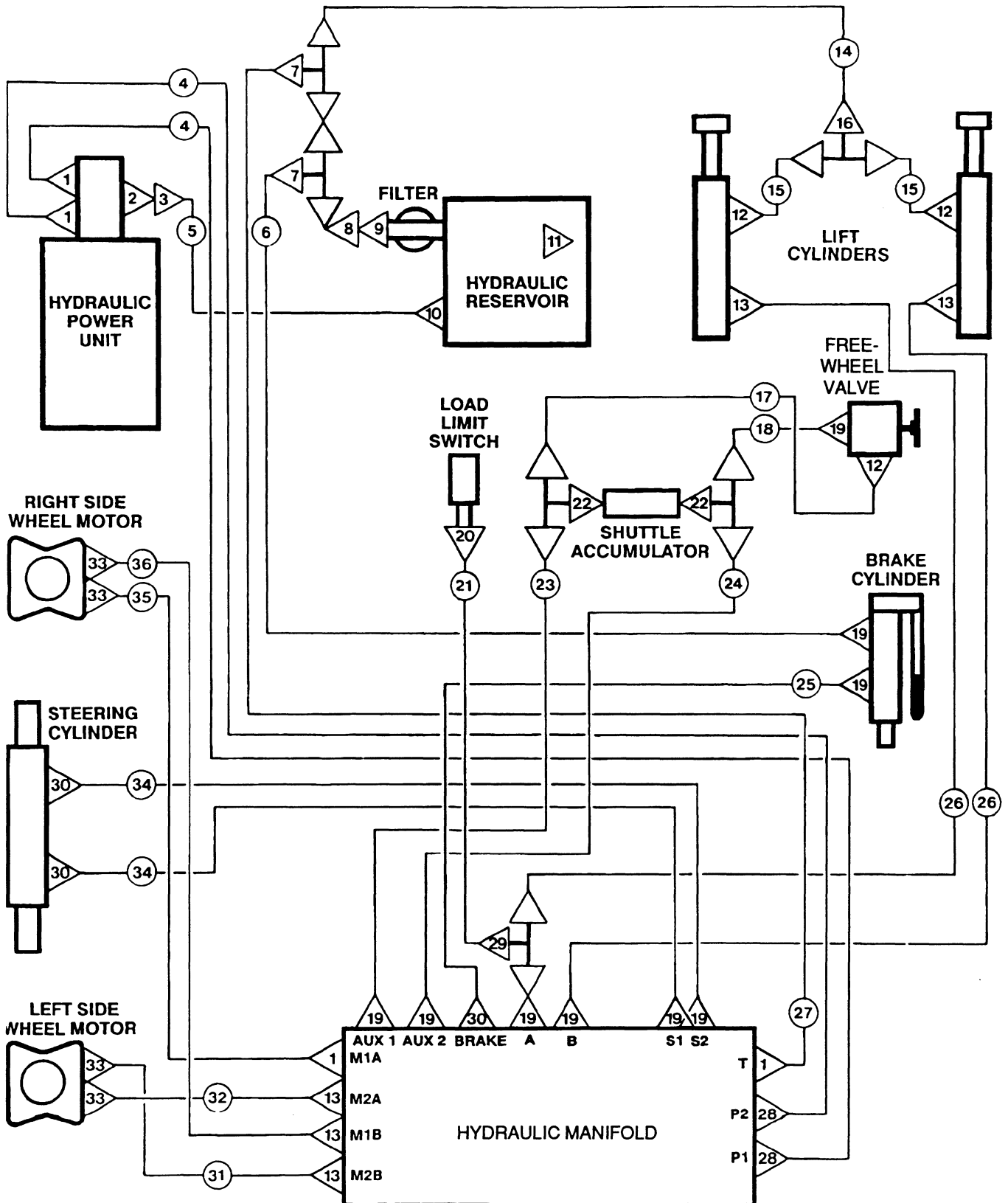


10. Rear Axle Assembly

Index No.	Part No.	Description	Quantity Per Illustration	Index No.	Part No.	Description	Quantity Per Illustration
1	25910*	Hose Assembly - Brake Cylinder to Function Manifold	1	16	20065	Tire and Wheel Assembly	1
2	13756*	Fitting - Connector, 4 JIC x 6 SAE (SAE 070120)	2	17	18725	Plate - Limit Switch Mount	1
3	25911*	Hose Assembly - Brake Cylinder to Hydraulic Reservoir	1	18	14163	Nut - Nylock, M6	2
4	25145	Cylinder - Brake	1	19	27083	Screw - RHM, M5 x 35mm	2
--	25958	Seal Kit - Brake Cylinder	1	20	23324	Switch - Limit with Arm	1
5	25959	Wear Block - Brake Cylinder	1	--	19491	Contact - N.O.	
6	25806	Weldment - Brake Cam Handle	1	--	22359	Arm	
7	27092	Screw - SHS, 5/16 - 18 x 0.5 inch, 1.0 inch Shoulder	1	21	27082	Nut - Nylock, M5	2
8	6002	Nut - LP Nylock, 5/16 - 18	1	22	25164	Weldment - Rear Spindle	2
9	6587	Rubber Grip	1	23	22736	Nut - Nylock, M10	8
10	25929	Screw - HHC, M8 x 30mm, GR 8.8	2	24	22699	Washer - Flat, M10	8
11	6638	Washer - Flat, 0.25 x 0.75 x 0.062 inch	4	25	25548	Screw - HHC, M10 x 40mm, GR 8.8	8
12	25368	Nut - Nylock, M8	2	26	18928	Hub Seal & Bearing Kit	2
13	22578	Screw - HHC, M6 x 20mm, GR 8.8	2	27	25304	Weldment - Tire & Wheel with Brake Ring	1
14	25926	Washer - Flat, M6	6	28	13047	Nut - Wheel Lug	10
15	25586	Pad - Rest	1	29	925054	Hub	2
				—	20486	Stud - Wheel Lug	10
				30	25137	Pin - Brake, 8.1cm (3.19 inch)	1
				31	10665	Roll Pin, 0.25 x 1.5 inch	1

* All Hydraulic Hoses and Fittings are detailed in *Figure 11*, page 22.

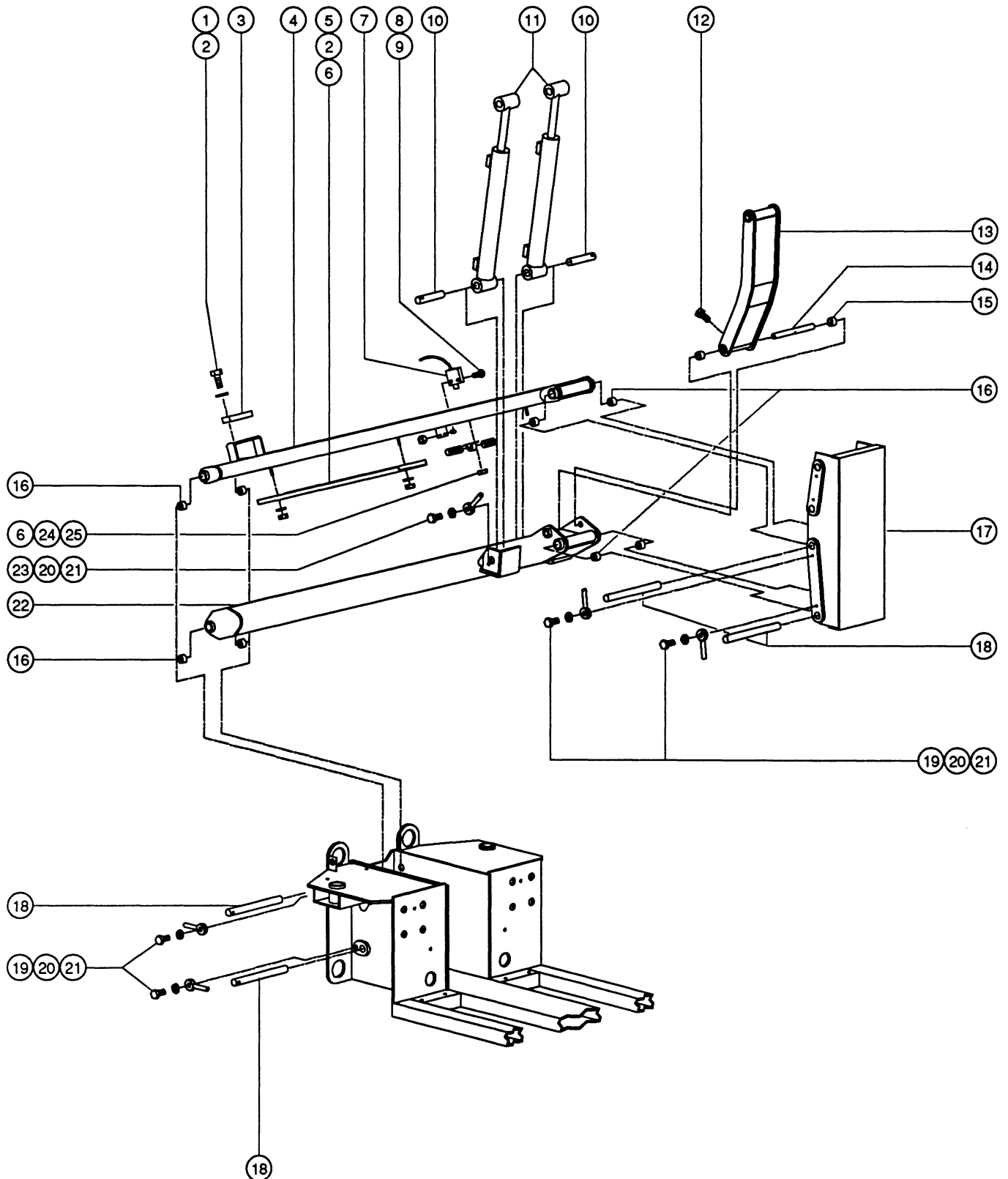
11. Hydraulic Hoses and Fittings



11. Hydraulic Hoses and Fittings

Index No.	Part No.	Description	Quantity Per Illustration	Index No.	Part No.	Description	Quantity Per Illustration
1	13120	Fitting - 90 Degree Elbow, 6 SAE x 6 JIC (SAE 070220)	4	1913756	Fitting - Connector, 6 SAE x 4 JIC (SAE 070120)	9	
2	25878	Fitting - 90 Degree Elbow, 12 SAE x 8 JIC (SAE 070220)	1	20	27166	Fitting - Connector, 6 FPT x 6 JIC (SAE 070103)	1
3	45359	Fitting - Swivel Connector, Barb	1	21	27186	Hose Assembly - Load Limit Switch to Function Manifold	1
4	25898	Hose Assembly - Power Unit to Function Manifold	2	22	25876	Fitting - Branch Tee, 4 SAE x 4 JIC (SAE 070429)	2
5	25895	Hose - Hydraulic Reservoir to Power Unit	1	23	27187	Hose Assembly - Shuttle Accumulator to Function Manifold ..	1
6	25911	Hose Assembly - Brake Cylinder to Hydraulic Reservoir	1	24	27188	Hose Assembly - Shuttle Accumulator to Function Manifold ..	1
7	45366	Fitting - Swivel Run Tee, 6 JIC (SAE 070432)	2	25	25910	Hose Assembly - Brake Cylinder to Function Manifold	1
8	25880	Fitting - 90 Degree Elbow, 6 JIC x 8 MPT (SAE 070202)	1	26	25904	Hose Assembly - Function Manifold to Lift Cylinder	2
9	45869	Fitting - Bushing, 12 MPT x 8 FPT (SAE 140140)	1	27	25897	Hose Assembly - Function Manifold to Hydraulic Reservoir	1
10	45167	Fitting - Straight Connector, Barb ...	1	28	15981	Fitting - Connector, 6 SAE x 6 JIC (SAE 070120)	2
11	27028	Fitting - Bushing, 12 MPT x 12 FPT (SAE 140140)	1	29	13757	Fitting - Swivel Run Tee, 4 JIC (SAE 070432)	1
12	12340	Fitting - 90 Degree Elbow, 6 SAE x 4 JIC (SAE 070220)	3	30	13755	Fitting - Connector, 4 SAE x 4 JIC (SAE 070120)	3
13	45411	Fitting - 45 Degree Elbow, 6 SAE x 6 JIC (SAE 070320)	5	31	25899	Hose Assembly - Left Side Wheel Motor, Top Port to Manifold	1
14	25905	Hose Assembly - Lift Cylinder Tee to Hydraulic Reservoir	1	32	25900	Hose Assembly - Left Side Wheel Motor, Bottom Port to Manifold	1
15	25906	Hose Assembly - Lift Cylinder to Lift Cylinder Tee	2	33	25877	Fitting - Connector, 10 SAE x 6 JIC (SAE 070120)	4
16	8342	Fitting - Union Tee, 4 JIC (SAE 070401)	1	34	25903	Hose Assembly - Steering Cylinder to Function Manifold	2
17	25908	Hose Assembly - Shuttle Accumulator to Freewheel Manifold	1	35	25901	Hose Assembly - Right Side Wheel Motor, Bottom Port to Manifold	1
18	25907	Hose Assembly - Shuttle Accumulator to Freewheel Manifold	1	36	25902	Hose Assembly - Right Side Wheel Motor, Top Port to Manifold	1

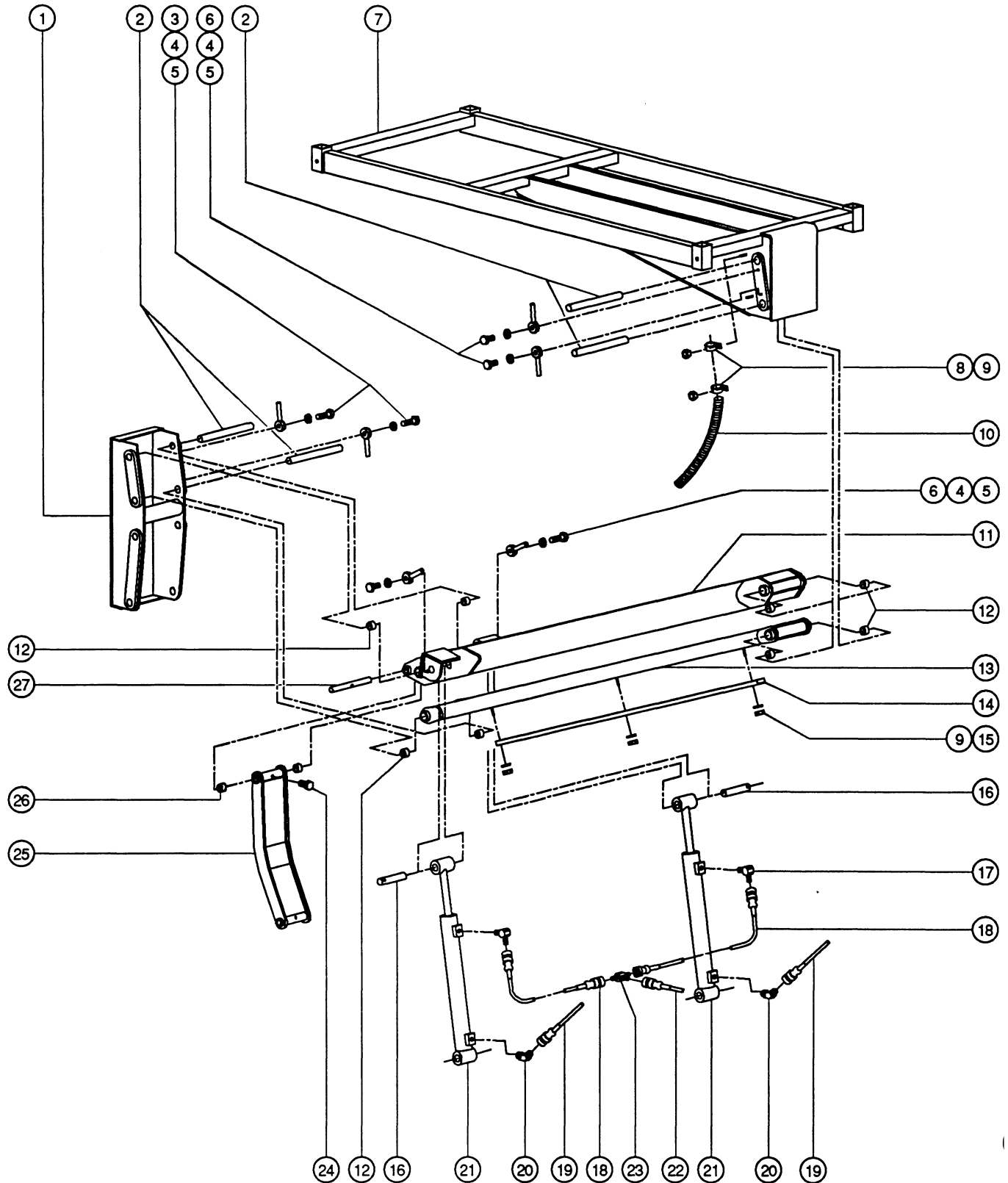
12. Lower Elevate Assembly



12. Lower Elevate Assembly

Index No.	Part No.	Description	Quantity Per Illustration
1	25929	Screw - HHC, M6 x 30mm	2
2	25926	Washer - Flat, M6	4
3	25586	Pad - Rest	1
4	25300	Weldment - Lower Leveling Arm	1
5	25604P	Cover - Lower Hose	1
6	14163	Nut - Nylock, M6	5
7	24147	Switch - Roller Plunger	1
8	27081	Screw - SHC, M5 x 25mm	2
9	27082	Nut - Nylock, M5	2
10	25279	Pin - Elevate Cylinder, 12.2cm (4.81 inch)	2
11	25143 25871	Cylinder - Elevate	2
		Seal Kit - Elevate Cylinder	
12	25548	Screw - HHC, M10 x 40mm, GR 8.8	1
13	25158	Weldment - Connecting Link	1
14	25280	Pin - Connecting Link, 19.7cm (7.75 inch)	1
15	25685	Bearing - Garlock, 12FDU12	2
16	25684	Bearing - Garlock, 16DU16	8
17	25122	Weldment - Midpivot	1
18	25278	Pin - Arm, 26.3cm (10.38 inch)	4
19	22676	Screw - HHC, M10 x 30mm, GR 8.8	4
20	22699	Washer - Flat, M10	6
21	25284	Rod End, 0.375 x 2.25 inch	6
22	25124	Weldment - Lower Arm	1
23	25677	Screw - HHC, M10 x 25mm, GR 8.8	2
24	25666	Clamp - Rubber Cushioned	2
25	45540	Protective Coil Sleeve	64cm

13. Upper Elevate Assembly

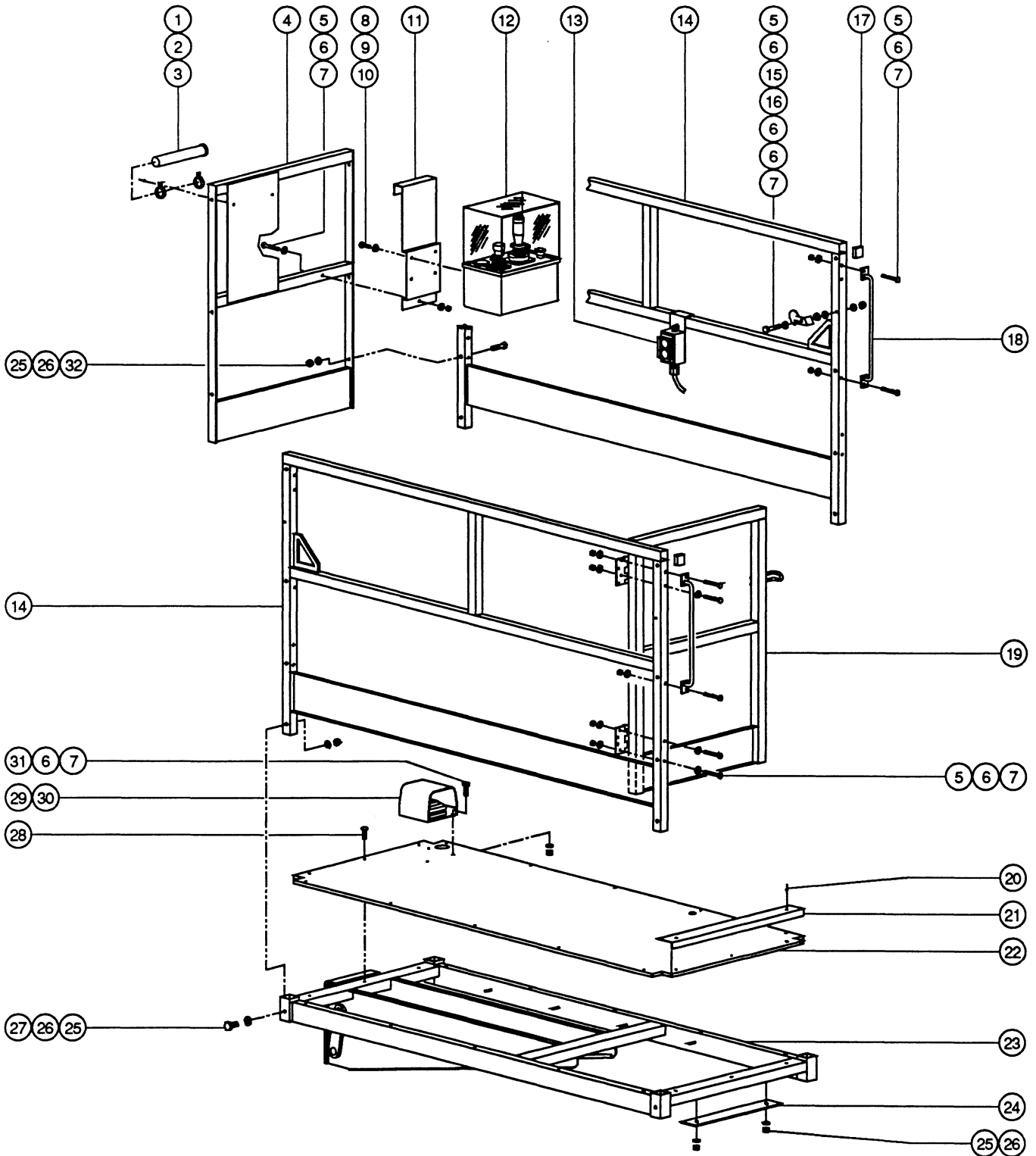


13. Upper Elevate Assembly

Index No.	Part No.	Description	Quantity Per Illustration	Index No.	Part No.	Description	Quantity Per Illustration
1	25122	Weldment - Midpivot	1	16	25279	Pin - Lift Cylinder, 12.2cm (4.81 inch)	2
2	25278	Pin - Arm, 26.3cm (10.38 inch)	4	17	12340*	Fitting - 90 Degree Elbow, 6 SAE x 4 JIC (SAE 070220)	2
3	22676	Screw - HHC, M10 x 30mm, GR 8.8	2	18	25906*	Hose Assembly - Elevate Cylinder to Tee	2
4	22699	Washer, M10	6	19	25904*	Hose Assembly - Elevate Cylinder to Function Manifold	2
5	25284	Rod End, 0.375 x 2.25 inch	6	20	45411*	Fitting - 45 Degree Elbow, 6 SAE x 6 JIC (SAE 070320)	2
6	25677	Screw - HHC, M10 x 25mm, GR 8.8	4	21	25143	Cylinder - Elevate	2
7	25127	Weldment - Platform	1	- -	25871	Seal Kit - Elevate Cylinder	
8	18666	Clamp - Rubber Cushioned	2	22	25905*	Hose Assembly - Elevate Cylinder Tee to Hydraulic Reservoir	1
9	14163	Nut - Nylock, M6	5	23	8342*	Fitting - Union Tee, 4 JIC (SAE 070401)	1
10	45540	Protective Coil Sleeve	64cm	24	25548	Screw - HHC, M10 x 40mm, GR 8.8	1
11	25126	Weldment - Upper Arm	1	25	25158	Weldment - Connecting Link	1
12	25684	Bearing - Garlock, 16DU16	8	26	25685	Bearing - Garlock, 12FDU12	2
13	25123	Weldment - Upper Leveling Arm	1	27	25280	Pin - Connecting Link, 19.7cm (7.75 inch)	1
14	18592P	Cover - Hose, Upper	1				
15	25926	Washer - Flat, M6	3				

* All Hydraulic Hoses and Fittings are detailed in *Figure 11*, page 22.

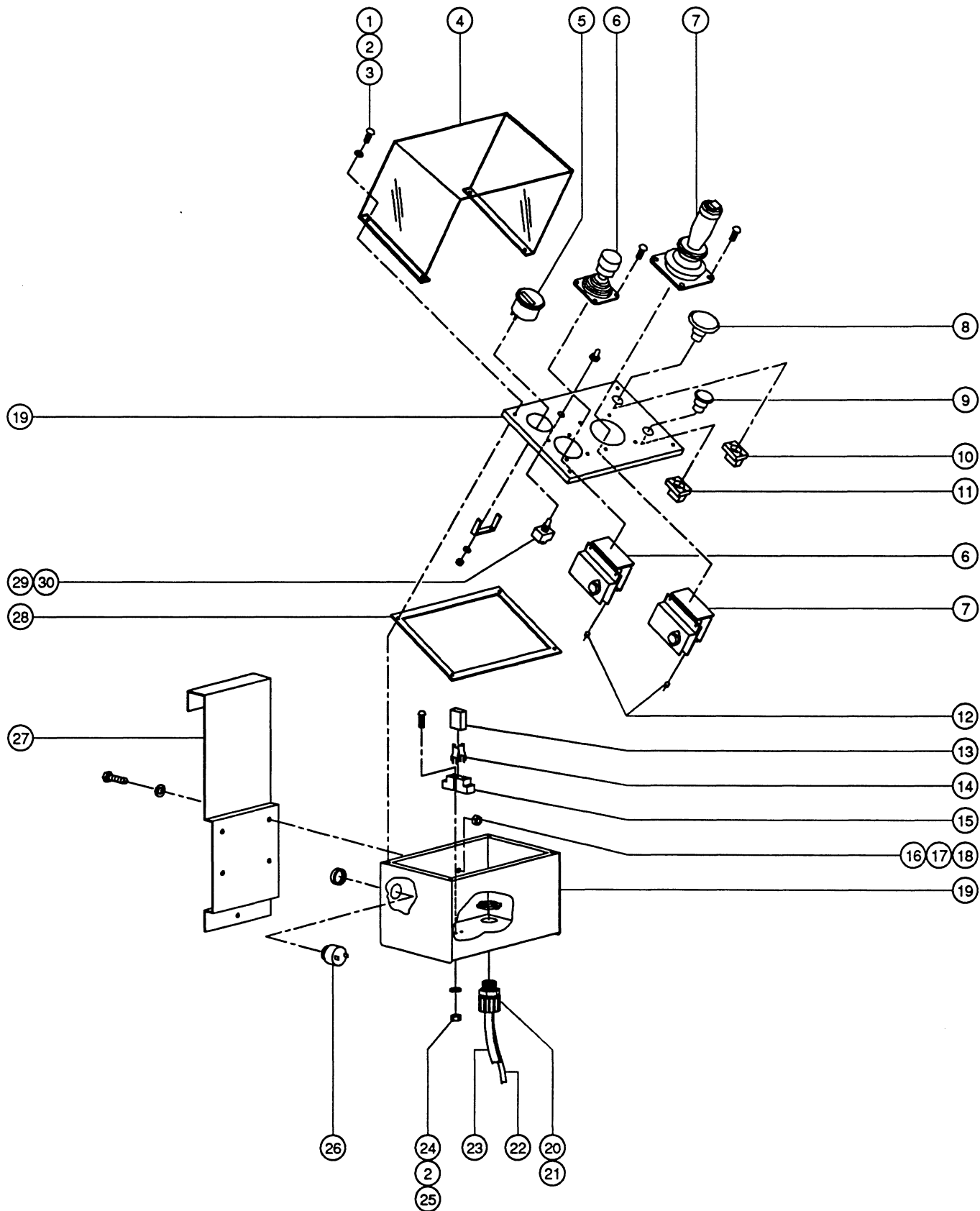
14. Platform Assembly



14. Platform Assembly

Index No.	Part No.	Description	Quantity Per Illustration	Index No.	Part No.	Description	Quantity Per Illustration
1	6600	Instruction Tube with Cap	1	17	18556	End Cap	4
--	27213	Cap - Instruction Tube		18	25656P	Weldment - Handle	2
--	25124	Operating Instruction Manual		19	20202	Weldment Only - Swing Gate	1
2	6653	Plastic Tube Clamp	2	—	18775	Hinge - Swing Gate	1
3	6271	Rivet - Steel, 0.25 x 0.25 inch	2	—	18776	Hinge - Self Closing, Swing Gate ...	1
4	25591	Weldment - End Rail	1	—	6271	Rivet - Steel, 0.25 x 0.25 inch	8
5	25930	Screw - HHC, M6 x 55mm, GR 8.8	9	20	7265	Rivet - Steel, 0.25 x 0.375 inch	6
6	25926	Washer - Flat, M6	19	21	25626P	Platform Step	1
7	14163	Nut - Nylock, M6	12	—	1259	Non-Skid Tape, 5cm (2 inch)	68cm
8	25929	Screw HHC, M8 x 30mm, GR 8.8	4	22	25135	Platform Deck - Plywood	1
9	6638	Washer - Flat, 0.25 x 0.75 x 0.062 inch	4	23	25127	Weldment - Platform	1
10	25368	Nut - Nylock, M8	4	24	19205	Pad - Platform Rest	1
11	25608P	Bracket - Control Box Mount	1	25	22736	Nut - Nylock, M10	12
12	----	Platform Control Box Assembly (See <i>Figure 15</i> , page 30)		26	22699	Washer - Flat, M10	16
13	----	AC Power Outlet Assembly (See <i>Figure 18</i> , page 36)		27	22677	Screw - HHC, M10 x 25mm, GR 8	4
14	25129	Weldment - Side Rail	2	28	20395	Screw - PHT, No. 10 x 1.5 inch	14
15	20036	Latch - Swing Gate	1	29	13482	Foot Switch	1
16	20048	Spacer - Gate Latch	1	30	13483	Guard - Foot Switch	1
				31	25929	Screw - HHC, M6 x 30mm	4
				32	25927	Screw - HHC, M10 x 55mm, GR 8.8	6

15. Platform Controls

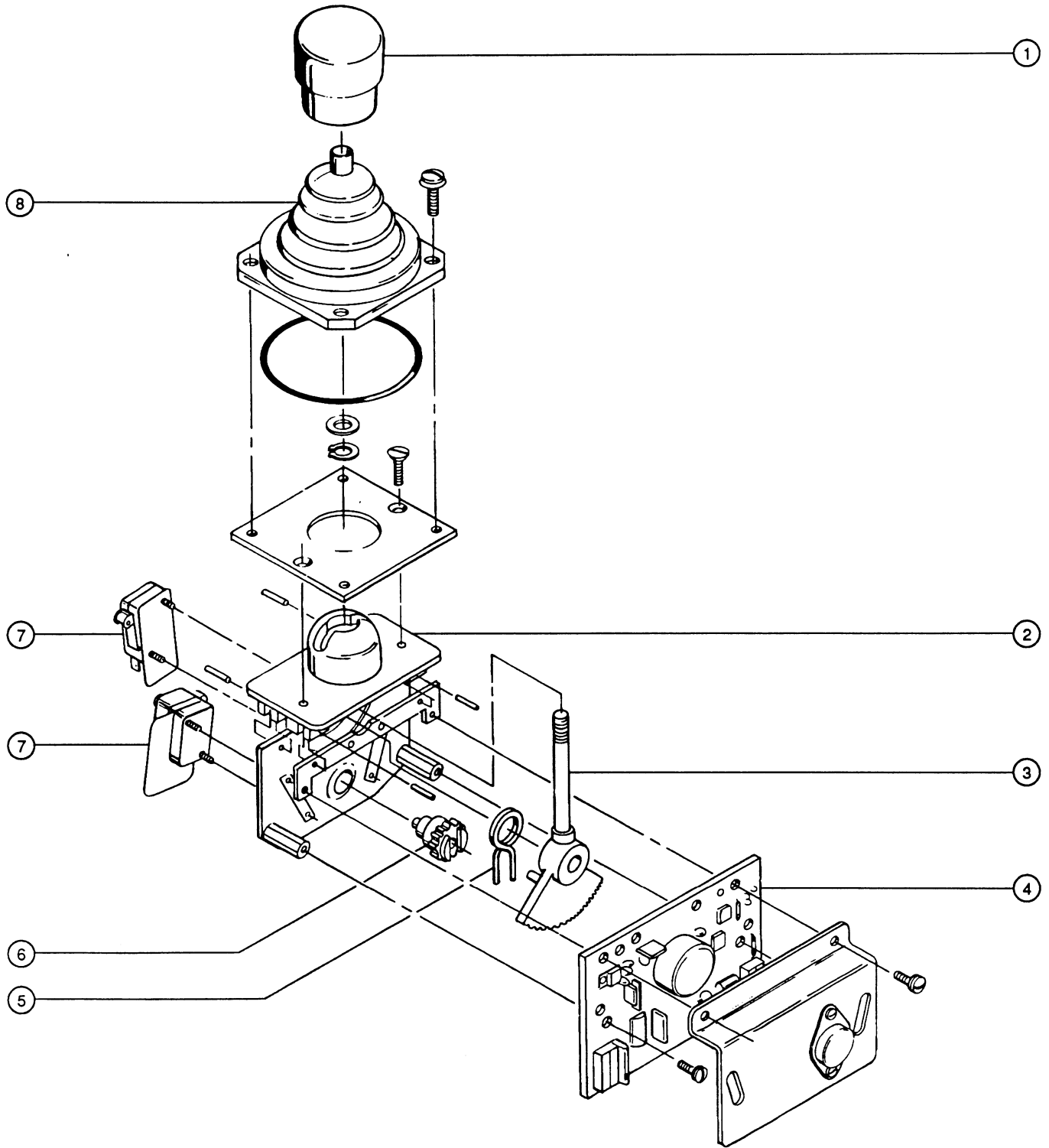


15. Platform Controls

Index No.	Part No.	Description	Quantity Per Illustration	Index No.	Part No.	Description	Quantity Per Illustration
1	5094	Screw - RHM, 10 - 32 x 0.5 inch.....	4	17	6638	Washer - Flat, 0.25 x 0.75 x 0.062 inch	4
2	6146	Washer - Flat, No. 10	6	18	25929	Screw - HHC, M8 x 30mm, GR 8.8	4
3	23405	Nutsert, 10 - 32	4	19	25133P	Weldment - Platform Control Box...	1
4	25609	Cover - Plexiglas.....	1	20	20776	Cable Squeeze Connector.....	1
5	23134	Battery Charge Indicator (includes Fasteners)	1	21	18665	Locknut - Electric, 1 inch	1
6	25147	Controller - Elevate (See Figure 16, page 32)	1	22	1505	Wire, 16-2 SJO.....	102cm
7	25146	Controller - Drive (See Figure 17, page 34)	1	23	1635	Wire Cable - 0.821mm ² (18 Gauge), 19 Conductor	823cm
8	45078	Red Push Button.....	1	24	18605	Nut - Nylock, 8 - 32	2
9	45080	Black Push Button	1	25	21192	Screw - RHM, 8 - 32 x 1.25 inch	2
10	45083	Contact - N.C. with Base	1	26	45383	Alarm - 24V DC (includes fastener)	1
11	45082	Contact - N.O. with Base.....	1	27	25608P	Bracket - Platform Control Box Mount	1
12	45782	Diode - 6A	2	28	25630	Gasket - Platform Control Box	1
13	20812	Relay - SPDT, 24V	1	29	13091	Toggle Switch - DPST Maintained .	1
14	24343	Relay Hold Down	2	30	25553	Boot - Toggle Switch	1
15	20813	Socket - Relay	1				
16	25368	Nut - Nylock, M8	4				

16. Elevate Controller

Part No. 25147



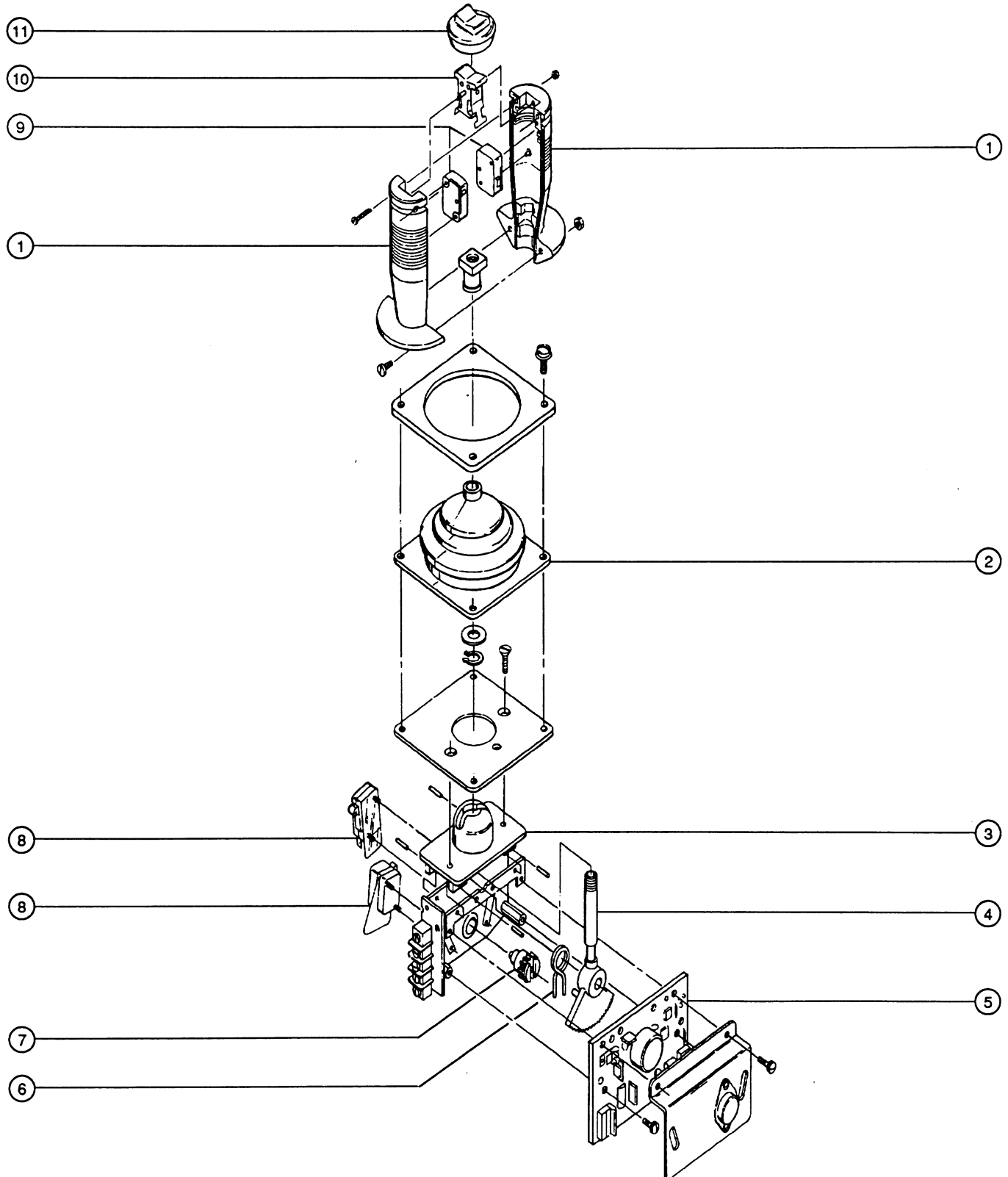
16. Elevate Controller

Part No. 25147

Index No.	Part No.	Description	Quantity Per Illustration
1	27133	Handle - Cap	1
2	19720	Casting - Base	1
3	27135	Shaft & Gear Assembly	1
4	21436	Printed Circuit Board Assembly	1
--	19718	Potentiometer - 21436 P.C. Board	
5	21434	Spring - Return	1
6	19731	Gear - Slave	1
7	19712	Microswitch, V3L-139-D8	2
8	27134	Boot - Rubber	1

17. Drive Controller

Part No. 25146

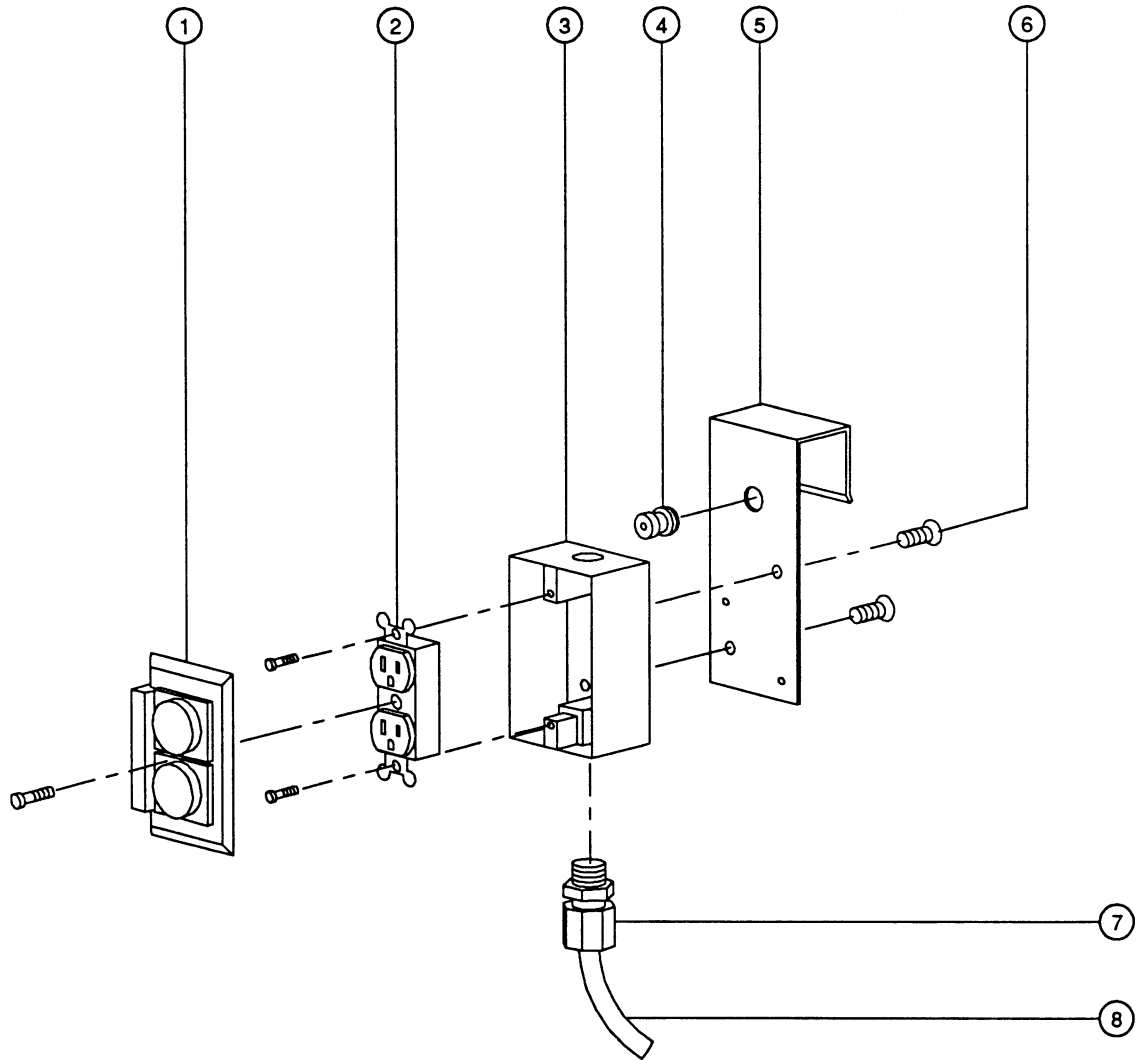


17. Drive Controller

Part No. 25146

Index No.	Part No.	Description	Quantity Per Illustration
1	19723	Handle Half	2
2	19715	Boot - Rubber	1
3	19720	Casting - Base	1
4	19719	Shaft & Gear Assembly	1
5	21436	Printed Circuit Board Assembly	1
--	19718	Potentiometer - 21436 P.C. Board	
6	21434	Spring - Return	1
7	19731	Gear - Slave	1
8	19712	Microswitch, V3L-139-D8	2
9	19722	Microswitch, V319M	2
10	19724	Rocker Assembly	1
11	19710	Boot - Rubber, 19724 Rocker	1

18. A.C. Power Outlet Assembly



18. AC Power Outlet Assembly

Index No.	Part No.	Description	Quantity Per Illustration
1	10776	Cover - Duplex (includes Fastener)	1
2	10778	Outlet - Duplex, 125V 15A (includes Fasteners)	1
3	45451	T-Box - Drilled	1
4	6825	Lock Pin	1
5	19449P	Bracket - AC Power	1
6	8514	Screw - FHS, 1/4 - 20 x 0.75 inch ...	2
7	7056	Squeeze Connector	1
8	6993	Wire - 14-3 SJO	762cm

Numeric Index

Part No.	Index No.	Page No.	Part No.	Index No.	Page No.	Part No.	Index No.	Page No.	Part No.	Index No.	Page No.
1259	21	29		18	17		19	23	19229	5	11
1266	--	3	6993	19	17	13757	29	23		4	17
		5		8	37	13918	11	7	19233	5	17
1268	--	3	7056	5	7	14041	11	13	19253	3	15
		5		17	17	14163	10	7		6	15
1483	--	3		7	37		14	11		8	15
		5	7265	20	29		39	13	19265	14	17
1484	--	3	7268	14	7		23	17	19273	15	19
		5	7713	15	7		18	21	19449P	5	37
1505	22	32	8112	32	7		6	25	19453	23	7
1635	9	13	8342	16	23		9	27	19454	11	17
	12	13		23	27		7	29	19455	11	17
	23	31	8514	6	37	15981	28	23	19491	20	21
5094	6	13	10665	31	21	16397	23	13	19506	30	13
	1	31	10776	1	37	18365P	24	7	19530	11	9
5361	27	7	10778	2	37	18382	33	7	19539	6	19
6002	8	21	11339	16	7	18526	24	7	19710	11	35
6022	3	11	12340	17	11	18556	17	29	19712	7	33
	30	17		12	23	18576	36	13		8	35
6146	4	13		17	27	18592P	14	27	19715	2	35
	2	31	12515J	10	5	18596	2	7	19718	4	33
6175	4	11	12960	10	13	18605	24	31		5	35
	31	17	13006	9	11	18612	2	3	19719	4	35
6178	3	13		29	17		2	5	19720	2	33
6271	3	29	13037	27	13	18627	8	11		3	35
	19	29	13047	26	7		34	13	19722	9	35
6272	20	11		28	21		32	17	19723	1	35
	16	17	13064	21	7	18665	21	31	19724	10	35
6587	9	21	13066	13	7	18666	24	25	19731	6	33
6595	4	7	13091	29	31		8	27		7	35
6600	1	29	13105	33	13	18684J	14	3	19792	1	15
6622	7	13	13120	7	17	18725	17	21		6	15
6638	15	13		1	23	18775	19	29		7	15
	9	17	13268	31	7	18776	19	29	19871	25	13
	11	21		32	13	18814	11	17	20036	15	29
	9	29	13482	30	29	18914	17	15	20048	16	29
	17	31	13483	29	29	18919	13	15	20065	25	7
6653	33	11	13579	19	11	18920	10	15		16	21
	2	29		15	17	18921	11	15	20202	19	29
6825	4	37	13755	35	7	18928	26	21	20224	14	15
6873	5	13		30	23	18963	1	13	20373	17	13
6935	6	7	13756	12	11	19151	11	17	20395	28	29
	8	13		2	21	19205	24	29	20486	29	21

Numeric Index

Part No.	Index No.	Page No.	Part No.	Index No.	Page No.	Part No.	Index No.	Page No.	Part No.	Index No.	Page No.
20776	20	31	24186	8	9		21	27	25630	28	31
20812	45	13	24343	44	13	25144	37	7	25630P	28	31
	13	31		14	31	25145	4	21	25631	20	17
20813	43	13	24427	40	13	25146	7	31	25632	3	7
	15	31	24523	5	9	25147	6	31	25643	31	13
21045	25	11	24916J	15	3	25152	22	11	25646	10	11
21141	20	19	24917J	10	3	25153P	23	7		28	17
21192	18	13	24935J	20	3	25154	36	11	25656P	18	29
	25	31		13	5	25158	13	25	25659P	9	7
21434	5	33	24939J	3	3		25	27	25677	23	25
	6	35		5	5	25164	22	21		6	27
21436	5	35	24949	11	3	25278	18	25	25682	1	7
21815	2	19		12	5		2	27	25684	16	25
21982	20	13	24951J	4	3	25279	10	25		12	27
22359	20	21		6	5		16	27	25685	15	25
22578	7	7	24971J	4	5	25280	14	25		26	27
	24	11	24973J	16	3		27	27	25686	18	7
	37	13	24974J	24	3	25282	13	11	25806	6	21
	25	17		1	5	25284	21	25	25845	2	9
	13	21	24980	21	3		5	27	25846	10	9
22586	16	13		14	5	25299	7	11	25863	30	11
22676	19	25	25036	8	15		34	17	25866	26	11
	3	27	25121	22	7	25300	4	25		26	17
22677	36	7	25122	17	25	25304	27	21	25870	37	7
	1	17		1	27	25368	14	13	25871	11	25
	27	29	25123	13	27		10	17		21	27
22699	12	7	25124	22	25		12	21	25876	1	11
	2	17	25126	11	27		10	29		22	23
	24	21	25127	7	27		16	31	25877	29	7
	20	25		23	29	25375	--	15		33	23
	4	27	25129	14	29	25548	25	21	25878	13	17
	26	29	25131	21	17		12	25		2	23
22736	3	17	25132P	2	13		24	27	25879	18	19
	23	21	25133P	19	31	25553	24	13	25880	9	19
	25	29	25134	21	11		30	31		8	23
23134	5	31	25135	22	29	25586	15	21	25887	5	19
23324	20	21	25136	--	3		3	25	25889	4	19
23405	3	31		--	5	25591	4	29	25895	16	19
24031	7	9	25137	30	21	25604P	5	25		5	23
24034	3	9	25138P	17	7	25608P	11	29	25896	27	23
24036	6	9	25140	11	17		27	31	25897	12	19
24147	7	25	25141	19	19	25609	4	31		27	23
24156	9	9	25143	11	25	25626P	21	29	25898	6	17

Numeric Index

Part No.	Index No.	Page No.	Part No.	Index No.	Page No.	Part No.	Index No.	Page No.	Part No.	Index No.	Page No.
	4	23		14	21	27157	26	17	45543	4	15
25899	30	7		2	25	27159	23	11	45544	6	15
	31	23		15	27		22	17	45642	14	15
25900	28	7		6	29	27166	29	11	45643	15	15
	32	23	25927	32	29		20	23	45651	13	11
25901	28	7	25929	8	17	27167	41	13	45708	6	11
	35	23		10	21	27168	12	15		33	17
25902	30	7		1	25	27186	28	11	45782	19	13
	36	23		8	29		21	23		12	31
25903	34	7		31	29	27187	35	11	45869	8	19
	34	23		18	31		23	23		9	23
25904	26	23	25930	16	11	27188	31	11	45911	1	15
	19	27		5	29		24	23		17	15
25905	13	19	25941P	13	13	27213	1	29	45912	3	15
	14	23	25956	32	11	27258	21	11		8	15
	22	27	25957	11	17		21	17	45919	18	15
25906	15	23	25958	4	21	45066	20	7	45920	18	15
	18	27	25959	5	21	45078	28	13	45921	18	15
25907	11	11	27028	1	19		8	31	45922	18	15
	18	23		11	23	45079	21	13	375785	20	13
25908	18	11	27046	1	15	45080	9	31	916237J	11	5
	17	23	27047	2	15	45081	22	12	916245J	9	3
25910	1	21	27048	3	15	45082	11	31		9	5
	25	23	27049	18	15	45083	29	13	916251J	19	3
25911	3	21	27050	5	15		10	31	916260	1	3
	6	23	27051	9	15	45084	22	13		15	5
25913J	17	3	27052	7	15	45087	7	19	916300J	22	3
25914J	6	3	27053	--	3	45162	17	19	925054	29	21
25915J	23	3		--	5	45167	12	17			
25917J	13	3	27076	42	13		14	19			
25918J	12	3	27081	8	25		10	23			
25919J	18	3	27082	26	13	45212	27	11			
	7	5		21	21	45359	3	23			
25920J	5	3		9	25	45366	10	19			
25921J	7	3	27083	19	21		7	23			
25922J	8	3	27092	7	21	45383	26	31			
	8	5	27110	1	9	45411	13	23			
25923	19	7	27111	4	9		20	27			
	34	11	27132	3	19	45451	3	37			
25926	8	7	27133	1	33	45483	16	15			
	15	11	27134	8	33	45501	35	13			
	38	13	27135	3	33	45540	25	25			
	24	17	27156	26	11		10	27			

Service Parts Order Form

Make copies of this form to use for each order.

Date:	Account No.:
Bill To:	Ship To:
Purchase Order No.:	Ship Via:
Your Name:	Phone No.:
Machine Model No.:	Machine Serial No.:

Part No.	Description	Quantity

Genie V-4M

How To Order Genie Parts:

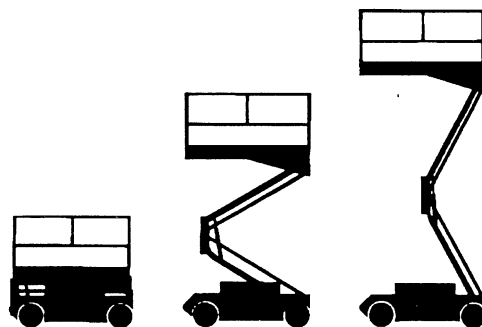
To obtain the quickest possible service when ordering replacement parts for your Genie Vertical Lift, be prepared with the following information:

- Machine Model Number
- Machine Serial Number
- Genie Part Number
- Part Description and Quantity
- Purchase Order Number
- "Ship To" Address

Now you are ready to call the authorized Genie Distributor in your area. Their name, address and telephone number may be displayed in the *Distributed by* box below. If no listing appears, call Genie for the name of the authorized Genie Distributor in your area.

Note: If your area isn't currently being serviced by an authorized Genie Distributor, you may place your parts order directly with Genie. Please use copies of the *Service Parts Order Form* on page 41, to fax your order in today.

Distributed by:



Genie U.S.A.
18340 NE 76th Street
P.O. Box 69
Redmond, Washington
United States 98073-0069
Telephone (206) 881-1800
Toll Free 800 426-8089
Fax (206) 883-3475
Telex 152351

Genie Canada
P.O. Box 86754
North Vancouver, B.C.
Canada V7L4L3
Telephone (604) 984-4242
Toll Free 800 426-8089
Fax (604) 988-2662

Genie Europe
Market Place
Southwell, Nottinghamshire
England NG25 OHE
Telephone (44) 0636-813943
Fax (44) 0636-815270

Genie Industries

Product specifications are subject to change without notice.
Copyright © 1991 by Genie Industries
PRINTED in U.S.A.
Patents Pending
First Edition